



GSM TELEPHONE

GT-B7350

SERVICE *Manual*

GSM TELEPHONE

CONTENTS



1. Safety Precautions
2. Specification
3. Product Function
4. Exploded View and Parts list
5. MAIN Electrical Parts List
6. Level 1 Repair
7. Level 2 Repair
8. Level 3 Repair
9. Reference data

Notice :
All functionality, features, specifications and other product information provided in this document including, but not limited to, the benefits, design, pricing, components, performance, availability, and capabilities of the product are subject to change without notice or obligation. Samsung reserves the right to make changes to this document and the product described herein, at anytime, without obligation on Samsung to provide notification of such change.

**SAMSUNG
ELECTRONICS**



GSPN (Global Service Partner Network)

Country	Web Site
North America	service.samsungportal.com
Latin America	latin.samsungportal.com
CIS	cis.samsungportal.com
Europe	europe.samsungportal.com
China	china.samsungportal.com
Asia	asia.samsungportal.com
Mideast & Africa	mea.samsungportal.com

2. Specification

2-1. GSM General Specification

	GSM850 Phase 1	EGSM 900 Phase 2	DCS1800 Phase 1	PCS1900	WCDMA2100	WCDMA900
Freq. Band[MHz] Uplink/Downlink	824~849 869~894	880~915 925~960	1710~1785 1805~1880	1850~1910 1930~1990	1922~1977 2112~2167	880~915 925~960
ARFCN range	128~251	0~124 & 975~1023	512~885	512~810	UL:9612~9888 DL:10562~10838	UL:2712~2863 DL:2937~3088
Tx/Rx spacing	45MHz	45MHz	95MHz	80MHz	190MHz	45MHz
Mod. Bit rate/ Bit Period	270.833kbps 3.692us	270.833kbps 3.692us	270.833kbps 3.692us	270.833kbps 3.692us	3.84Mcps	3.84Mcps
Time Slot Period/Frame Period	576.9us 4.615ms	576.9us 4.615ms	576.9us 4.615ms	576.9us 4.615ms	FrameLength: 10ms Slotlength: 0.667ms	FrameLength: 10ms Slotlength: 0.667ms
Modulation	0.3GMSK	0.3GMSK	0.3GMSK	0.3GMSK	QPSKHQPSK	QPSKHQPSK
MS Power	33dBm~5dBm	33dBm~5dBm	30dBm~0dBm	30dBm~0dBm	24dBm~-50dBm	24dBm~-50dBm
Power Class	5pcl ~ 19pcl	5pcl ~ 19pcl	0pcl ~ 15pcl	0pcl ~ 15pcl	3(max+24dBm)	3(max+24dBm)
Sensitivity	-102dBm	-102dBm	-100dBm	-100dBm	-106.7dBm	-106.7dBm
TDMA Mux	8	8	8	8	8	8
Cell Radius	35Km	35Km	2Km	2Km	2Km	2Km

2-2. GSM Tx Power Class

TX Power control level	GSM850	TX Power control level	EGSM900	TX Power control level	DCS1800	TX Power control level	PCS1900
5	33±2 dBm	5	33±2 dBm	0	30±3 dBm	0	30±3 dBm
6	31±2 dBm	6	31±2 dBm	1	28±3 dBm	1	28±3 dBm
7	29±2 dBm	7	29±2 dBm	2	26±3 dBm	2	26±3 dBm
8	27±2 dBm	8	27±2 dBm	3	24±3 dBm	3	24±3 dBm
9	25±2 dBm	9	25±2 dBm	4	22±3 dBm	4	22±3 dBm
10	23±2 dBm	10	23±2 dBm	5	20±3 dBm	5	20±3 dBm
11	21±2 dBm	11	21±2 dBm	6	18±3 dBm	6	18±3 dBm
12	19±2 dBm	12	19±2 dBm	7	16±3 dBm	7	16±3 dBm
13	17±2 dBm	13	17±2 dBm	8	14±3 dBm	8	14±3 dBm
14	15±2 dBm	14	15±2 dBm	9	12±4 dBm	9	12±4 dBm
15	13±2 dBm	15	13±2 dBm	10	10±4 dBm	10	10±4 dBm
16	11±3 dBm	16	11±3 dBm	11	8±4 dBm	11	8±4 dBm
17	9±3dBm	17	9±3dBm	12	6±4 dBm	12	6±4 dBm
18	7±3 dBm	18	7±3 dBm	13	4±4 dBm	13	4±4 dBm
19	5±3 dBm	19	5±3 dBm	14	2±5 dBm	14	2±5 dBm
				15	0±5 dBm	15	0±5 dBm

3. Operation Instruction and Installation

Main Function

- GSM(2G EDGE/GPRS)850/900/1800/1900, WCDMA(3G HSDPA)W900/W2100
- HSDPA 7.2 Mbps
- 2.62" TFT Touch (R-type)
- Music player, Voice Recorder
- A-GPS / Bluetooth v2.0+EDR / WiFi (802.11 b/g)
- 3M Camera(AF)
- FM Radio Receiver
- USB 2.0 Full Speed
- Windows Mobile 6.5
- SMS/MMS/Email

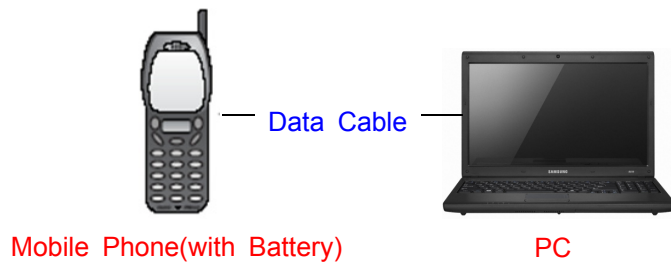
6. Level 1 Repair

6-1. Software Download

6-1-1. Pre-requisite for Download

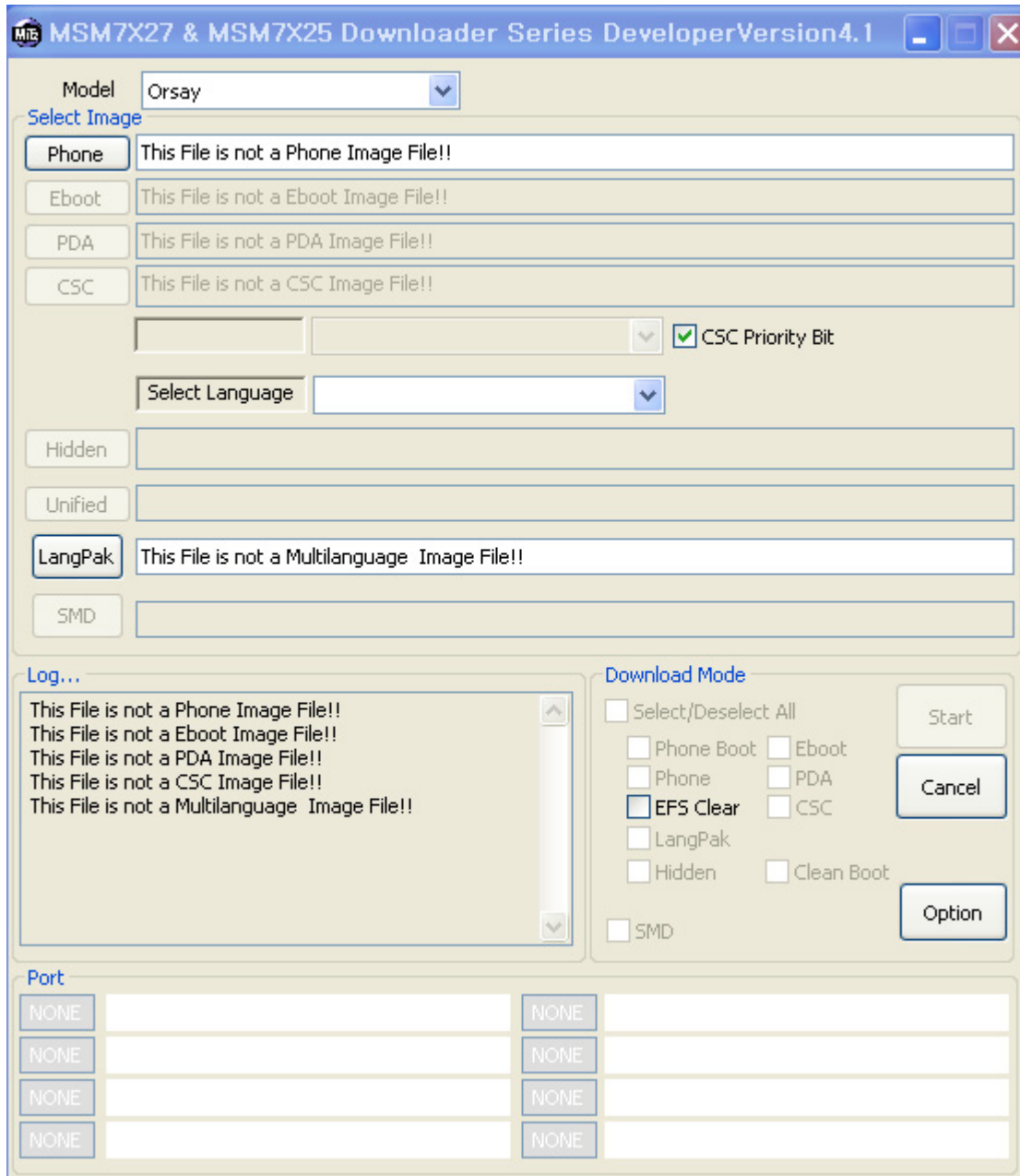
- Downloader Program ([MSM7x27 & MSM7X25_MultiDownloader.exe](#))
- GT-B7350 Mobile Phone
- Data Cable
- JIG BOX (GH99-36900A)
- RF Test Cable (GH39-00985A)
- JIG Cable (GH39-01338A)
- Adapter (GH99-38251A)
- Binary files

- Diagram of Connection:

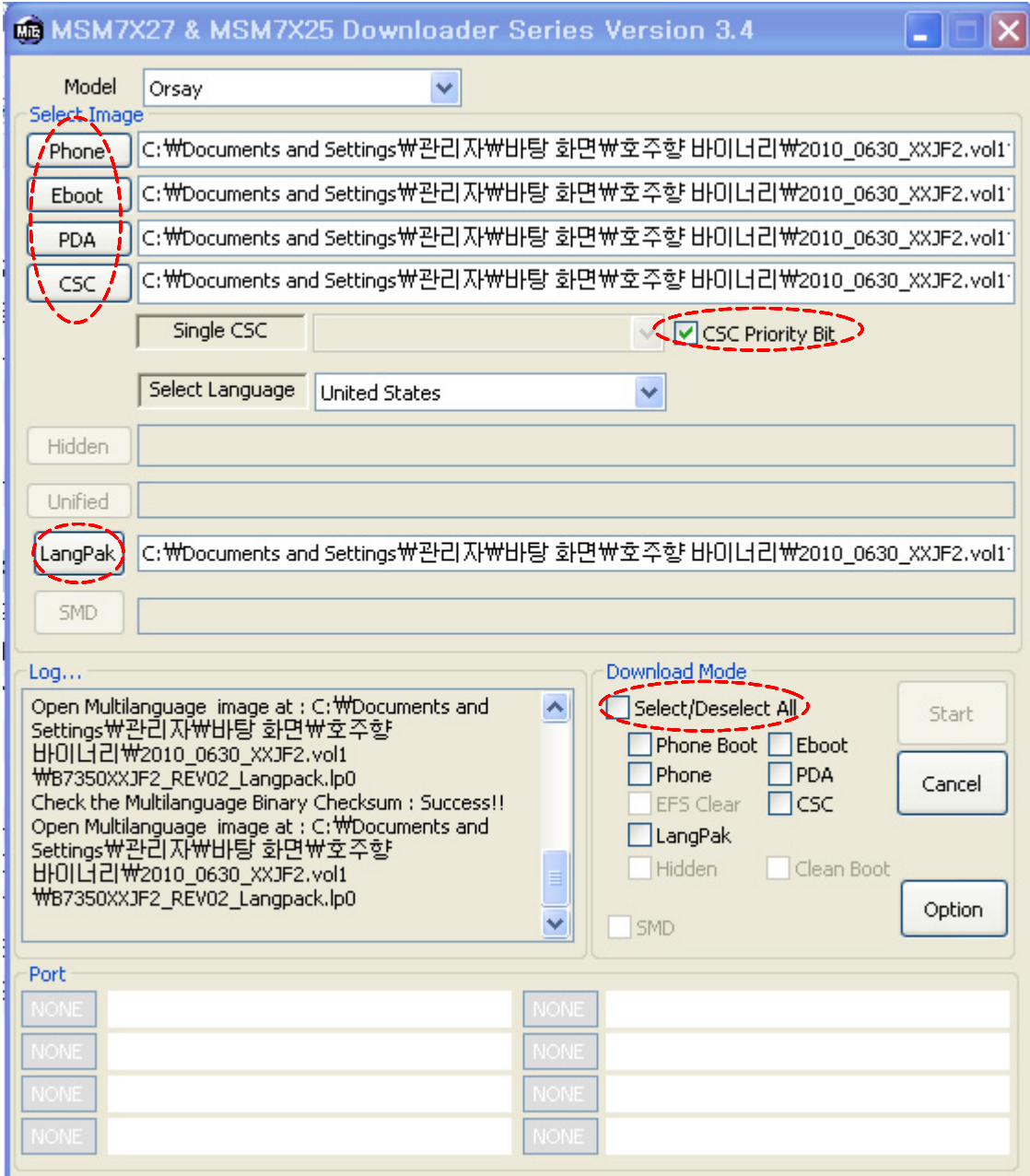


6-1-2. S/W Download Process

1. Load the binary download program by executing the "**MSM7x27 & MSM7X25_MultiDownloader.exe**"

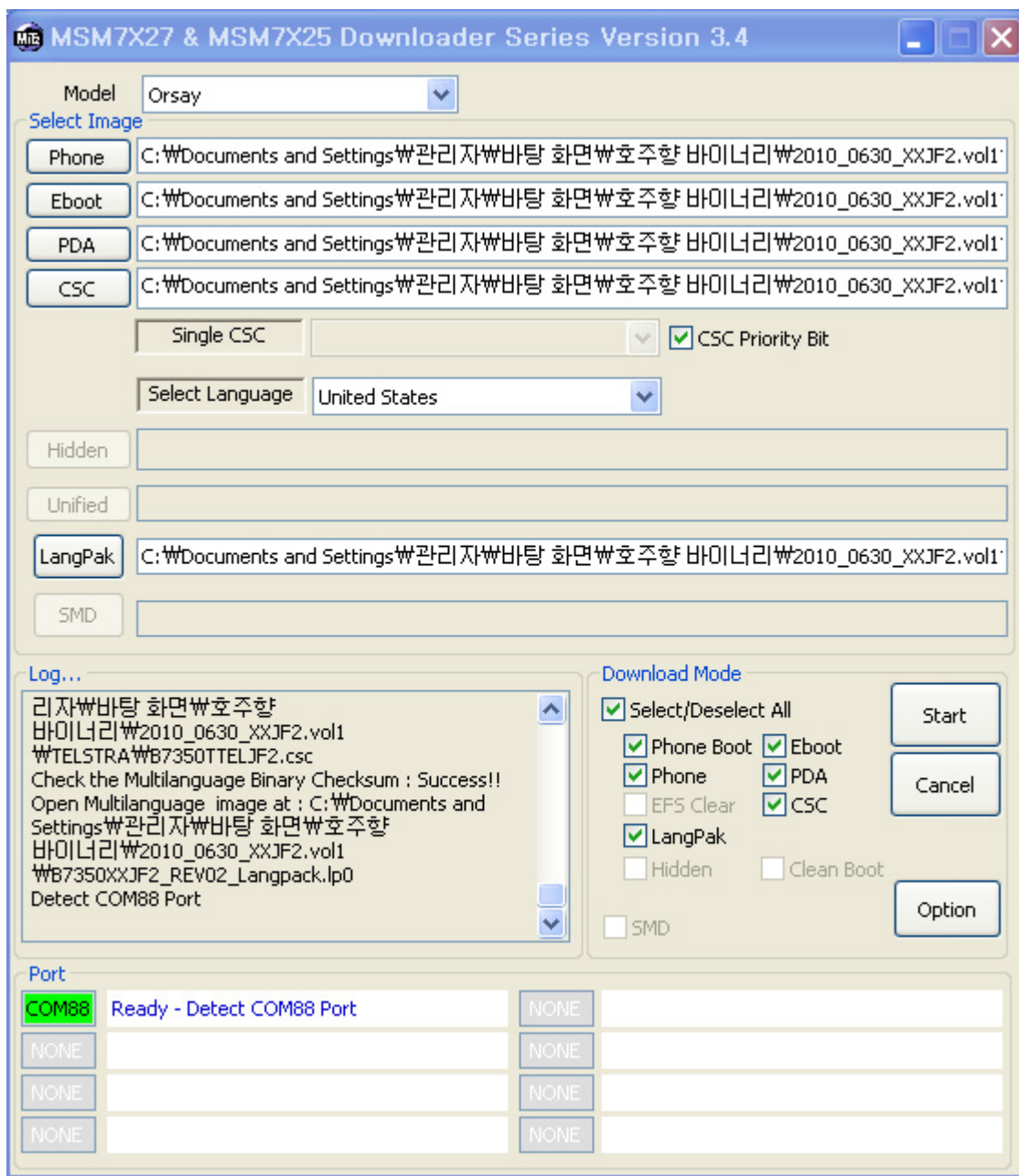


2. Set the Download program



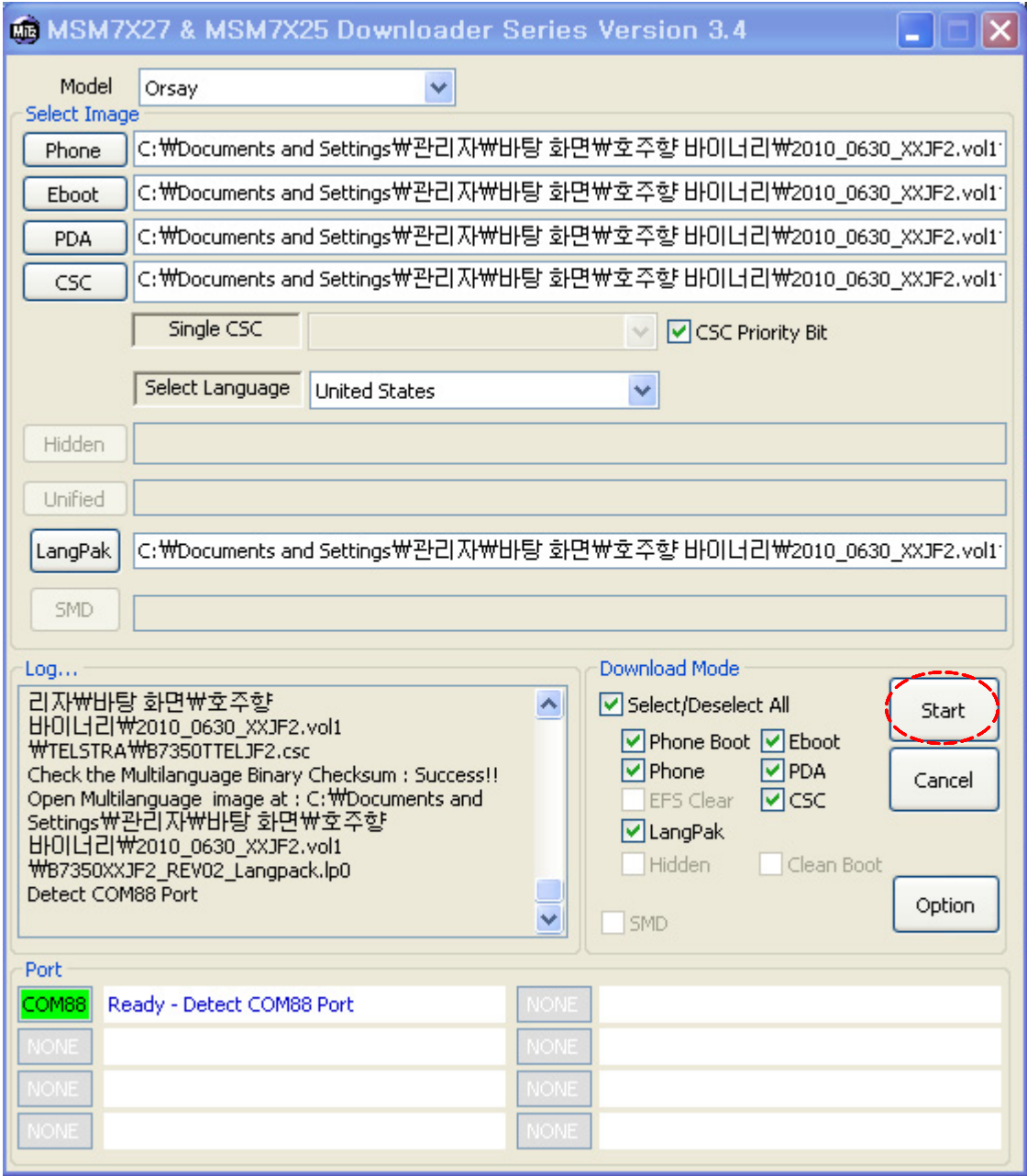
- (1).Load "phone,Eboot,PDA,CSC,LangPak" files
- (2) Check "CSC Priority Bit" and "Select/Deselet All"

3. COM Port Mapping change to **Green Color** when the phone with download mode is connected to PC by data cable.

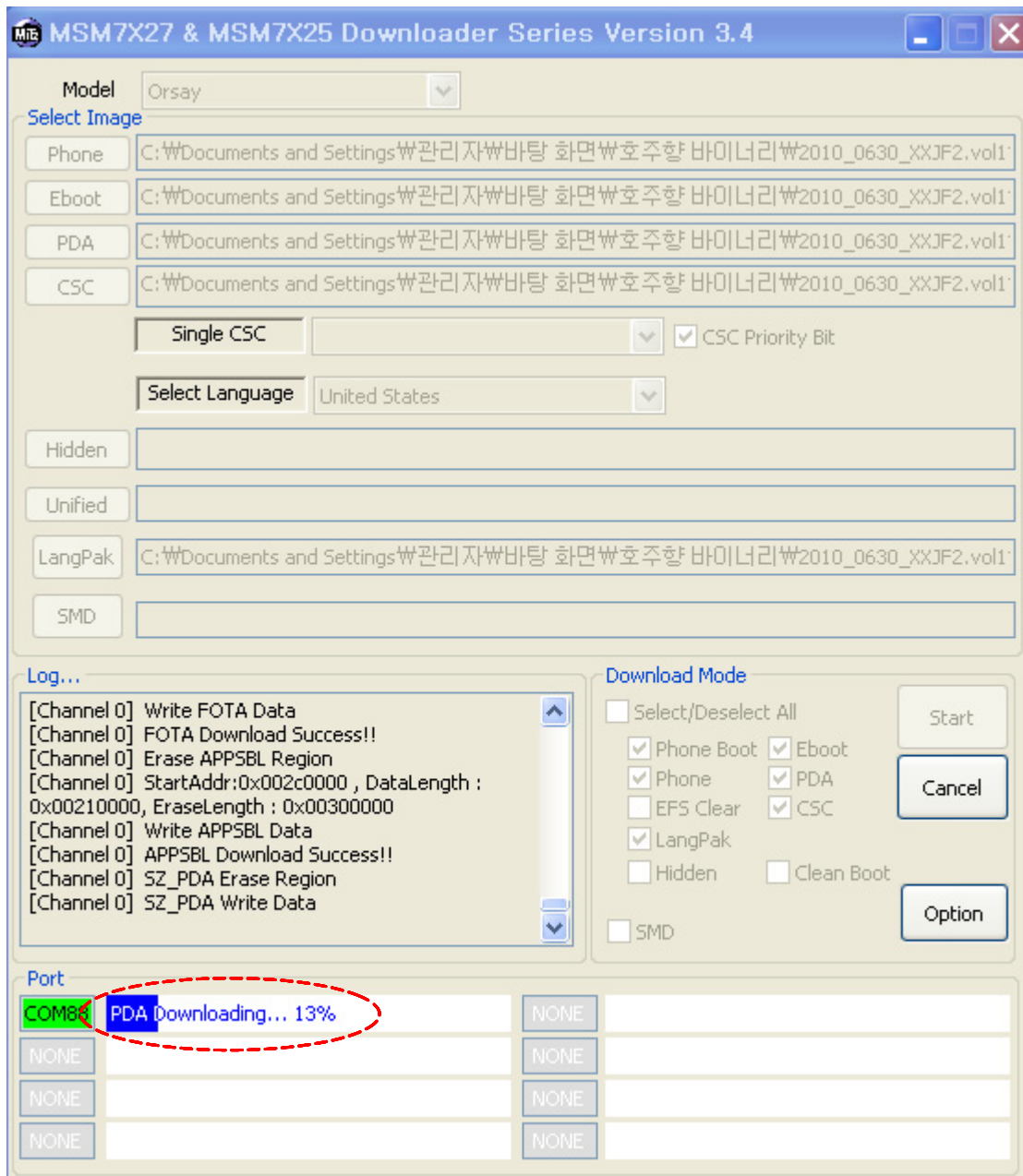


cf. You have to set the phone as a download mode by pressing Volume down + Hold key + End key simultaneously before connecting to PC .

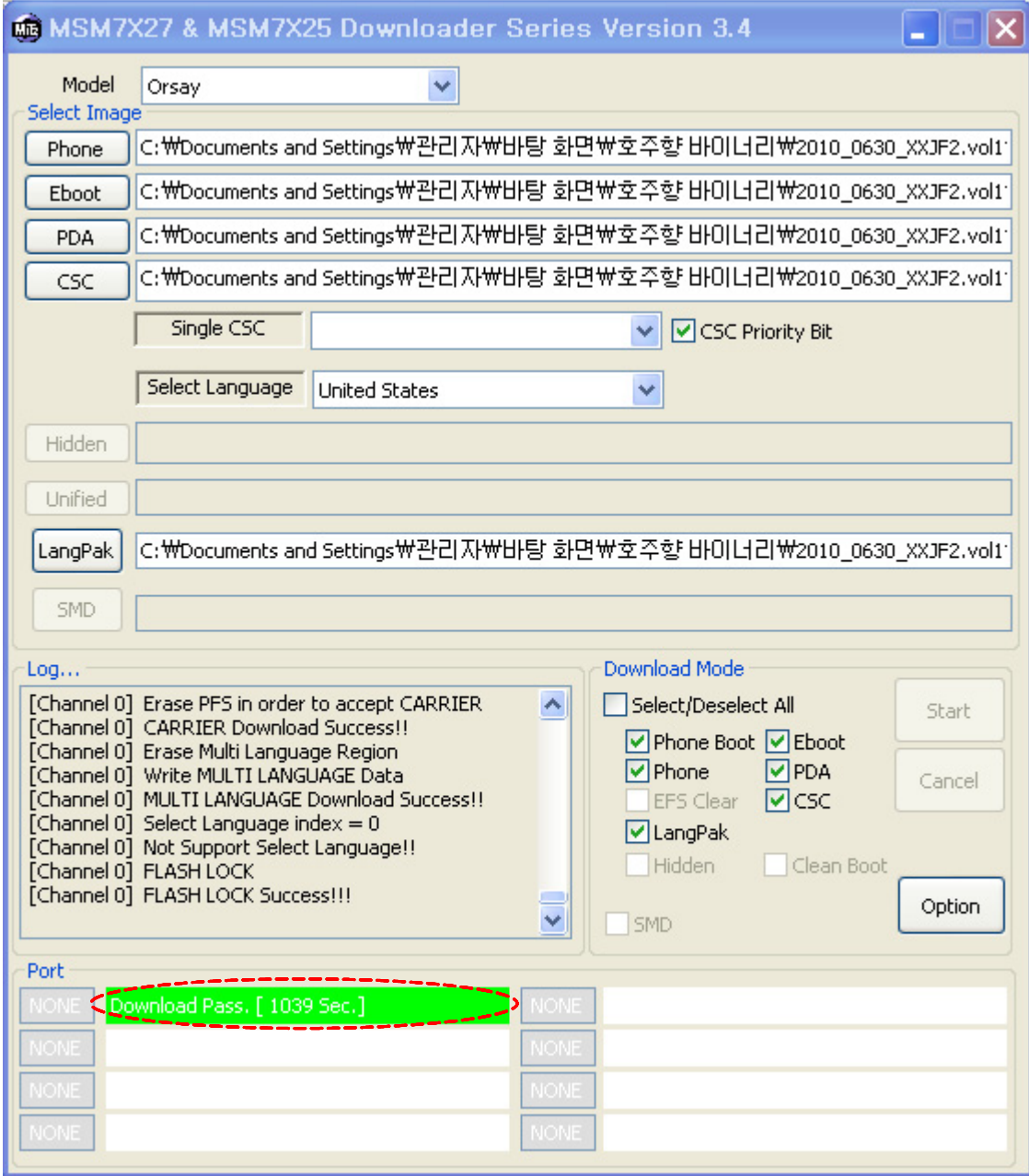
4. Click the **Start** button when the Port searched.



It will start to download.



5. When downloading is finished successfully, there is a "Download Pass" message.



6. Confirm the downloaded version name and etc. :

***#1234#**

9. Reference Abbreviate

Reference Abbreviate

- **AAC**: Advanced Audio Coding.
- **AVC** : Advanced Video Coding.
- **BER** : Bit Error Rate
- **BPSK**: Binary Phase Shift Keying
- **CA** : Conditional Access
- **CDM** : Code Division Multiplexing
- **C/I** : Carrier to Interference
- **DMB** : Digital Multimedia Broadcasting
- **EN** : European Standard
- **ES** : Elementary Stream
- **ETSI**: European Telecommunications Standards Institute
- **MPEG**: Moving Picture Experts Group
- **PN** : Pseudo-random Noise
- **PS** : Pilot Symbol
- **QPSK**: Quadrature Phase Shift Keying
- **RS** : Reed-Solomon
- **SI** : Service Information
- **TDM** : Time Division Multiplexing
- **TS** : Transport Stream

1. Safety Precautions

1-1. Repair Precaution

- Repair in Shield Box, during detailed tuning. Take specially care of tuning or test, because specipcty of cellular phone is sensitive for surrounding interference(RF noise).
- Be careful to use a kind of magnetic object or tool, because performance of parts is damaged by the influence of magnetic force.
- Surely use a standard screwdriver when you disassemble this product, otherwise screw will be worn away.
- Use a thicken twisted wire when you measure level.
A thicken twisted wire has low resistance, therefore error of measurement is few.
- Repair after separate Test Pack and Set because for short danger (for example an overcurrent and furious flames of parts etc) when you repair board in condition of connecting Test Pack and tuning on.
- Take specially care of soldering, because Land of PCB is small and weak in heat.
- Surely tune on/off while using AC power plug, because a repair of battery charger is dangerous when tuning ON/OFF PBA and Connector after disassembling charger.
- Don't use as you pleases after change other material than replacement registered on SEC System. Otherwise engineer in charge isn't charged with problem that you don't keep this rules.

1-2. ESD(Electrostatically Sensitive Devices) Precaution

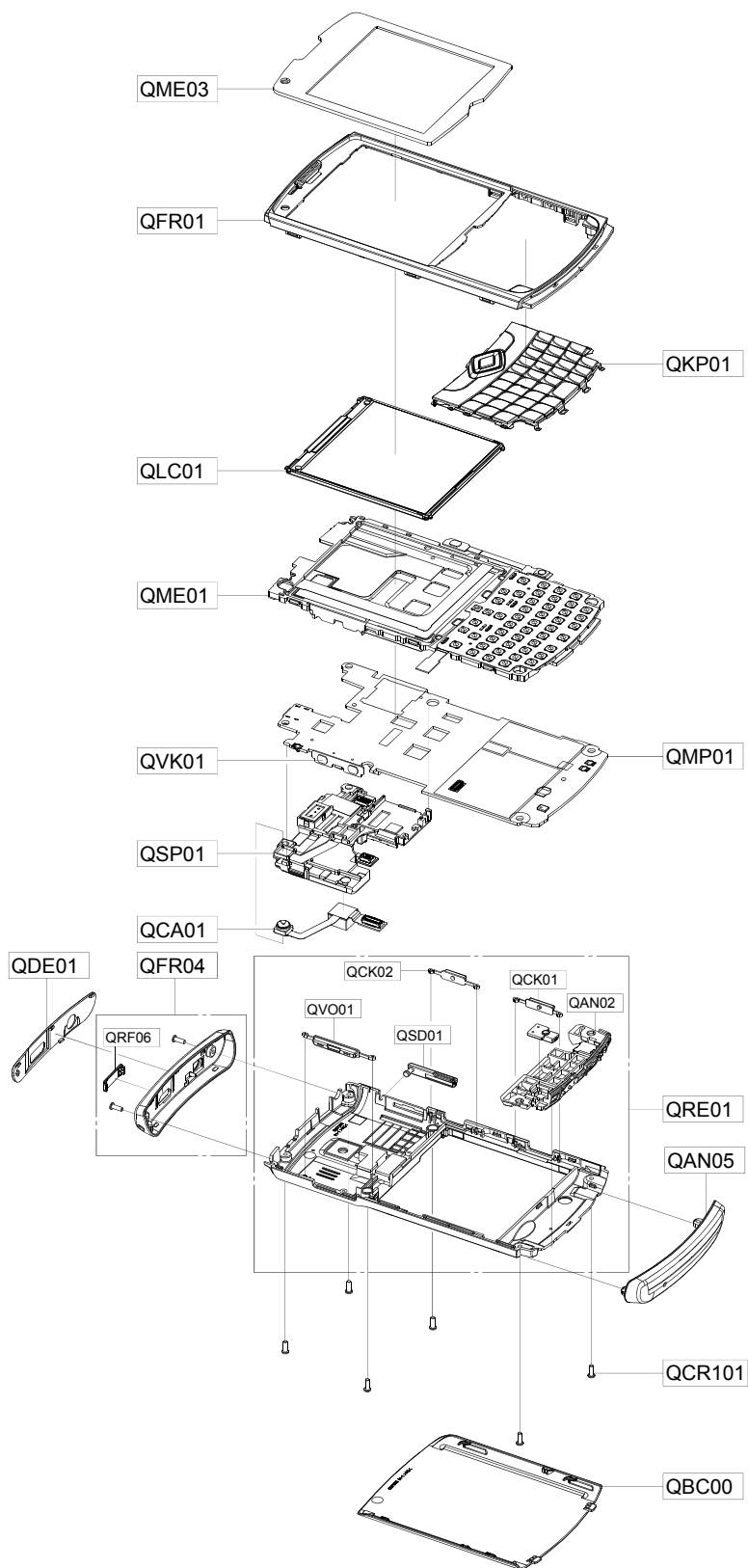
Several semiconductor may be damaged easily by static electricity. Such parts are called by ESD (Electrostatically Sensitive Devices), for example IC,BGA chip etc. Read Precaution below.

You can prevent from ESD damage by static electricity.

- Remove static electricity remained your body before you touch semiconductor or parts with semiconductor. There are ways that you touch an earthed place or wear static electricity prevention string on wrist.
- Use earthed soldering steel when you connect or disconnect ESD.
- Use soldering removing tool to break static electricity. , otherwise ESD will be damaged by static electricity.
- Don't unpack until you set up ESD on product. Because most of ESD are packed by box and aluminum plate to have conductive power,they are prevented from static electricity.
- You must maintain electric contact between ESD and place due to be set up until ESD is connected completely to the proper place or a circuit board.

4. Exploded View and Parts List

4-1. Cellular phone Exploded View



4-2. Cellular phone Parts list

Design LOC		Description	SEC CODE
QCR101		SCREW-MACHINE	6001-002005
QSP01		MODULE-SPK/MOT/RCV	GH59-09738A
QCA01		CAMERA MODULE-GT-B7350,3AF_CIF CAMERA MO	GH59-09812A
QVK01		KEY FPCB-VOL KEY(GT_B7350)	GH59-09772A
QME03		TOUCH/PANEL-TOUCH KEY(GT_B7350)	GH59-09840A
QMP01		A/S ASSY-PBA MAIN (COMM)	GH82-05111A
QLC01		ASSY LCD-2.6" 320X320 GT-B7350 ASSY	GH96-04750A
QME01		ASSY MODULE-TF KEY PBA+BRACKET(GTB7350)	GH96-04853A
QFR01		ASSY COVER-FRONT(EU/OG)	GH98-17299A
QKP01		ASSY KEYPAD-MAIN(XK/OPEN)	GH98-17300A
QDE01		ASSY DECO-TOP CAP	GH98-17305A
QAN05		ASSY COVER-ANTENNA	GH98-17306A
QBC00		ASSY COVER-BATT	GH98-17619A
QFR04		ASSY DECO-TOP	GH98-17304A
	QRF06	PMO COVER-USB	GH72-60105A
QRE01		ASSY COVER-REAR	GH98-17518A
	QAN02	ANTENNA-GT_B7350(MAIN)	GH42-02623A
	QCK02	PMO KEY-HOLD	GH72-60100A
	QCK01	PMO KEY-CAMERA	GH72-60101A
	QVO01	PMO KEY-VOLUME	GH72-60102A
	QSD01	PMO COVER-SD	GH72-60103A

- This Document can not be used without Samsung's authorization -

5-2. Cellular phone Parts list : GT-B7350XKAXEF

Design LOC	Description	SEC CODE
QAN02	INTENNA-GT_B7350(MAIN)	GH42-02623A
QAN05	ASSY COVER-INTENNA	GH98-17306A
QBC00	ASSY COVER-BATT	GH98-17619A
QCA01	ASSY CAMERA-MODULE(B7350_3M)	GH96-04926A
QCK01	PMO KEY-CAMERA	GH72-60101A
QCK02	PMO KEY-HOLD	GH72-60100A
QCR101	SCREW-MACHINE	6001-002005
QDE01	ASSY DECO-TOP CAP	GH98-17305A
QFR01	ASSY COVER-FRONT(EU/OG)	GH98-17299A
QFR04	ASSY DECO-TOP	GH98-17304A
QKP01	ASSY KEYPAD-MAIN(XK/FRAN)	GH98-17815A
QLC01	ASSY LCD-2.6" 320X320 GT-B7350 ASSY	GH96-04750A
QME01	ASSY MODULE-TF KEY PBA+BRACKET(GTB7350)	GH96-04853A
QME03	TOUCH/PANEL-TOUCH KEY(GT_B7350)	GH59-09840A
QMP01	A/S ASSY-PBA MAIN (COMM)	GH82-05111A
QRE01	ASSY COVER-REAR	GH98-17518A
QRF06	PMO COVER-USB	GH72-60105A
QSD01	PMO COVER-SD	GH72-60103A
QSP01	MODULE-SPK/MOT/RCV	GH59-09738A
QVK01	KEY FPCB-VOL KEY(GT_B7350)	GH59-09772A
QVO01	PMO KEY-VOLUME	GH72-60102A

7. Level 2 Repair

7-1. Disassembly

1

1)Disassemble Deco Top Cover.



2

1)Unscrew the 2 points of Deco Top.
2)Separate Deco Top from the SET.



※ Caution

1) Be care of scratch and molding damage.

※ Caution

1) Be care of scratch and molding damage.
2) Torque : 1.0 ~ 1.2 Kgf-cm

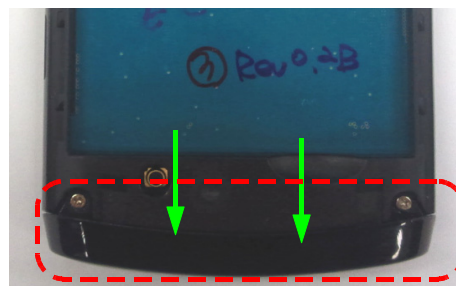
3

1)Unscrew the 6 points of Rear.



4

1) Separate Intenna Cover from the SET.



※ Caution

1) Be care of scratch and molding damage.
2) Torque : 1.0 ~ 1.2 Kgf-cm

※ Caution

1) Be care of scratch and molding damage.

5

1) Separate the Rear Case from the Set.



6

1) Disconnect LCD connector
2) Separate PBA from the Ass'y



※ Caution

1) Be care of scratch and molding damage.

※ Caution

1) Be care of damage to LCD F-CPB.

7

1) Disconnect Key connector

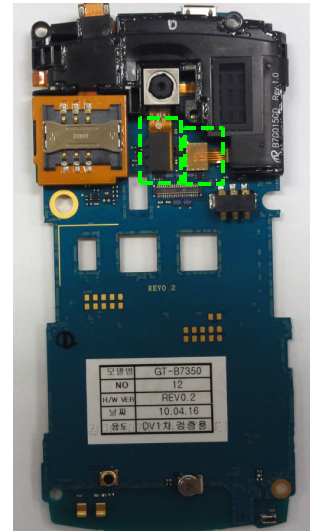


※ Caution

1) Be care of damage to Key F-CPB.

8

1) Disconnect CAM, SPK connector

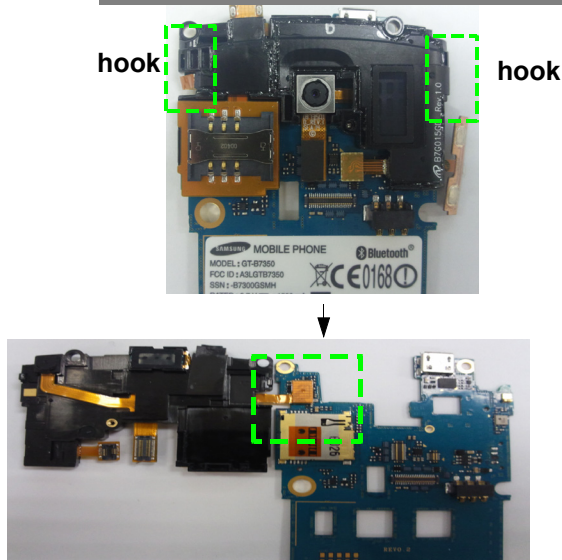


※ Caution

1) Be care of damage to part of PBA

9

- 1) Disassemble SPK Ass'y from PBA.
- 2) Disconnect SIM connector

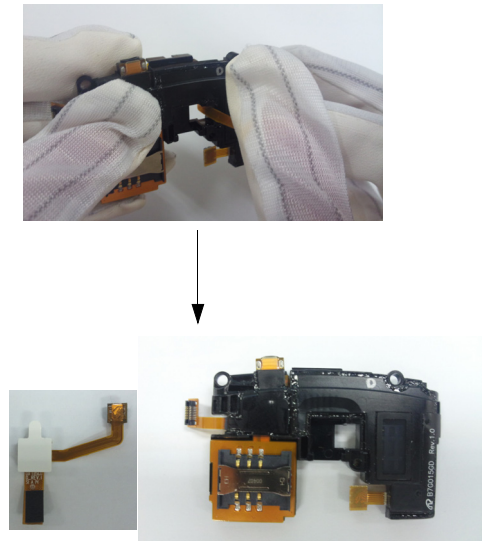


※ Caution

- 1) Be care of damage to SIM F-CPB.

10

- 1) Separate the Camera from SPK ass'y

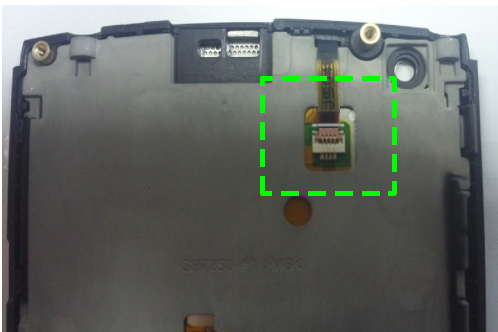


※ Caution

- 1) Be care of damage to Camera F-CPB.

11

- 1) After Zip Connector open, separate TSP FPCB from Front Ass'y.

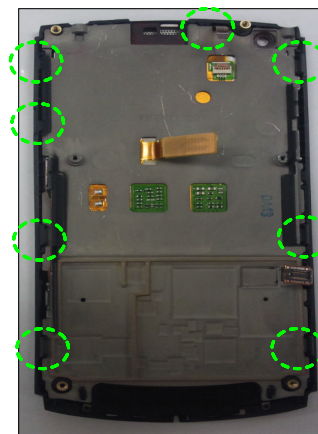


※ Caution

- 1) Be care of damage to TSP F-CPB

12

- 1) Separate the Bracket from Front Ass'y by disassembling hook.

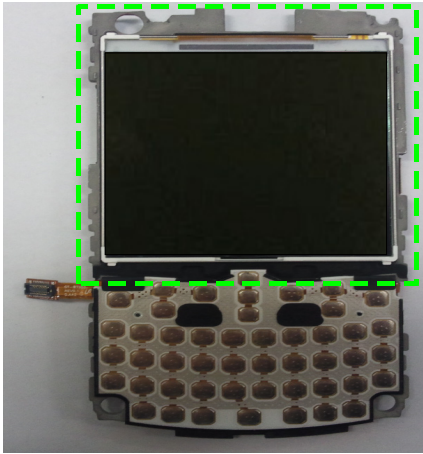


※ Caution

- 1) Be care of scratch and molding damage.

13

1) Disassemble the LCD module from the Bracket



※ **Caution**

1) Be care of damage to LCD

14

1) Disassemble TSP from Front



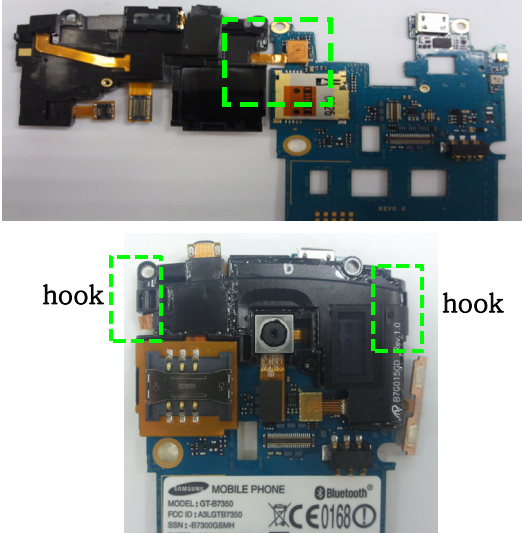
※ **Caution**

1) Be care of damage to TSP.

7-2. Assembly

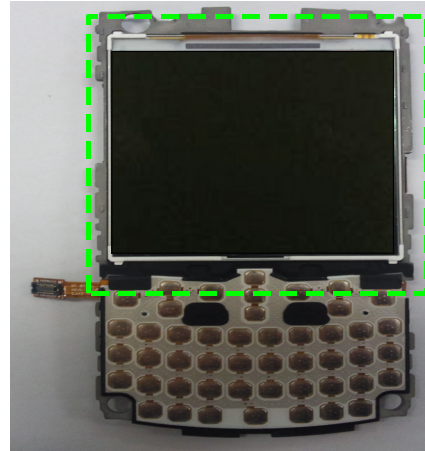
1

1) Assemble SPK Ass'y to PBA



2

1) Assemble LCD on the Bracket.



※ Caution

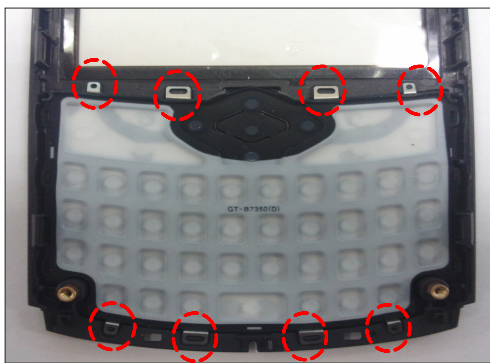
1) Be care of damage to SPK

※ Caution

1) Be care of damage to LCD

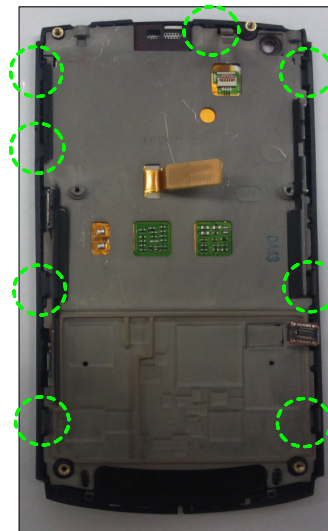
3

1) Assemble the Keypad on Front



4

1) Assemble the LCD bracket on the front



※ Caution

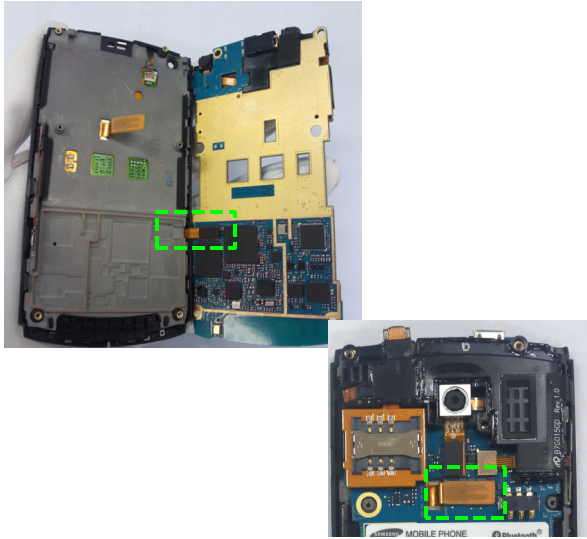
1) Be care of scratch and molding damage.

※ Caution

1) Be care of scratch and molding damage.

5

- 1) Assemble the PBA to LCD Bracket.
- 2) Assemble LCD connector on PBA

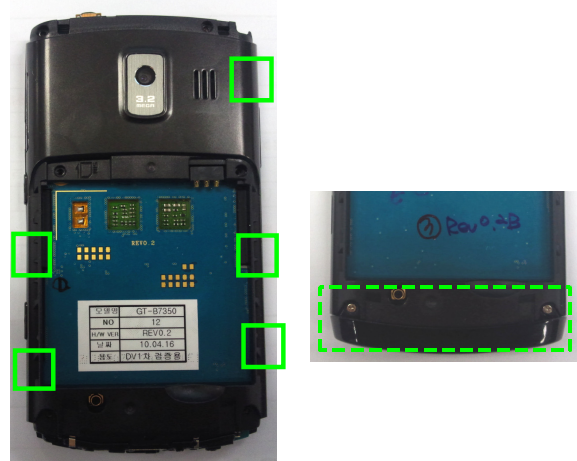


※ Caution

- 1) Be care of damage to FPCB

6

- 1) Assemble the Rear.
- 2) Assemble the Intenna Cover.



※ Caution

- 1) Be care of scratch and molding damage.

7

- 1)Screw 6 point.



※ Caution

- 1) Be care of scratch and molding damage.
- 2) Torque : 1.0 ~ 1.2 Kgf-cm

8

- 1)Assemble Deco Top.



9

1) Screw 2 point



10

1) Assemble Deco Top Cover.

**※ Caution**

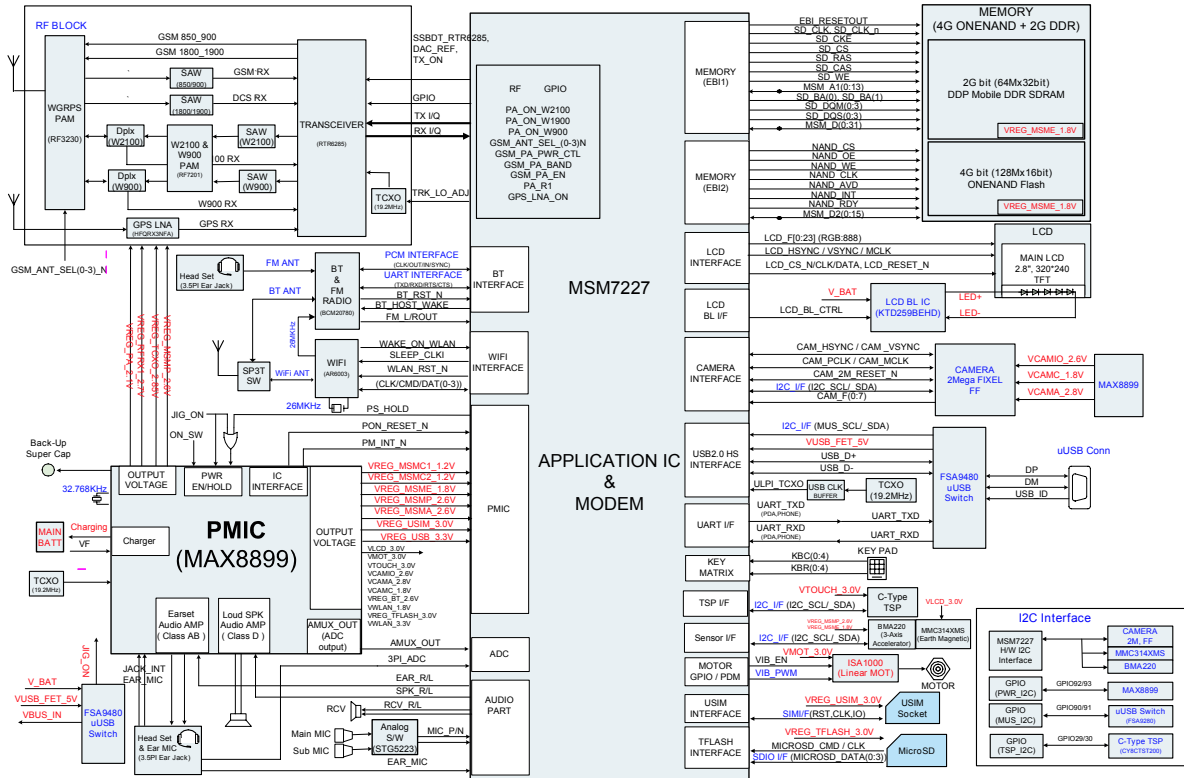
- 1) Be care of scratch and molding damage.
- 2) Torque : 1.0 ~ 1.2 Kgf-cm

※ Caution

- 1) Be care of scratch and molding damage.

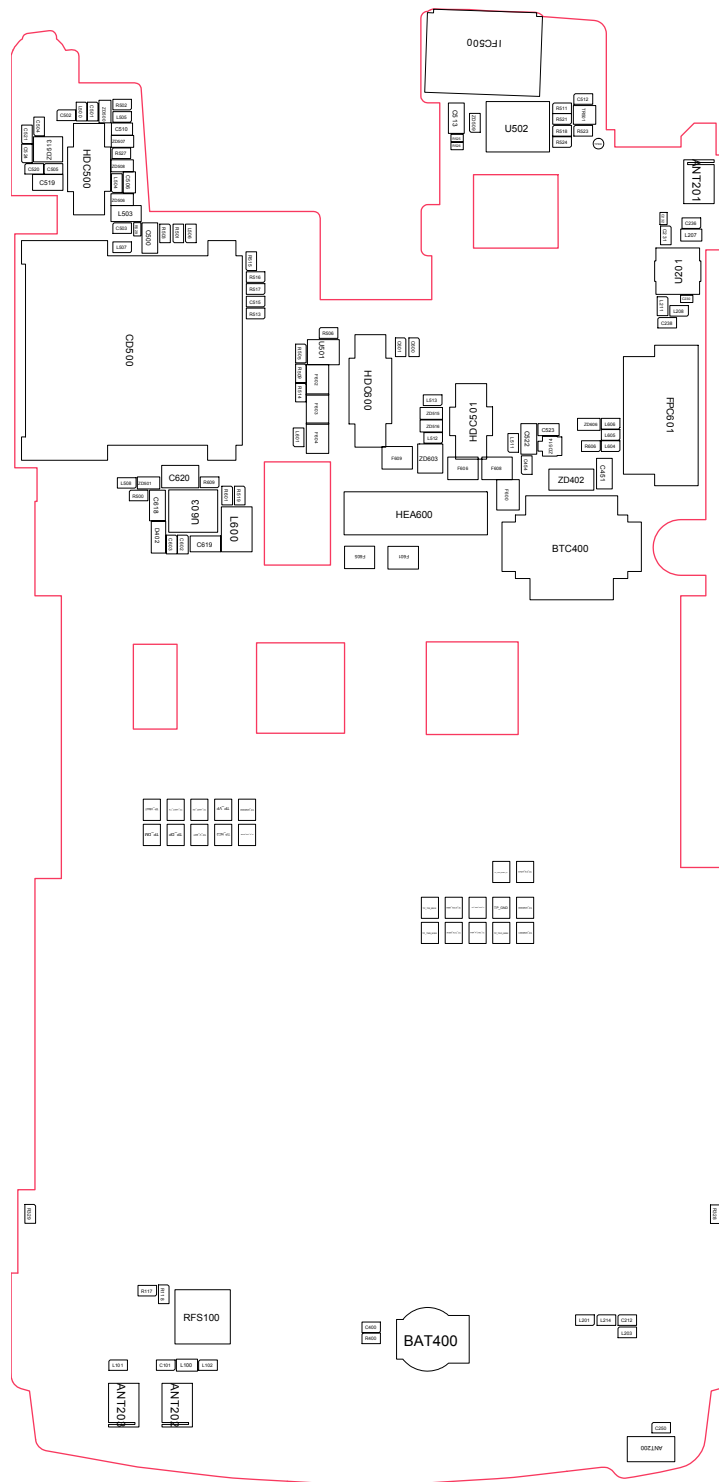
8. Level 3 Repair

8-1. Block Diagram

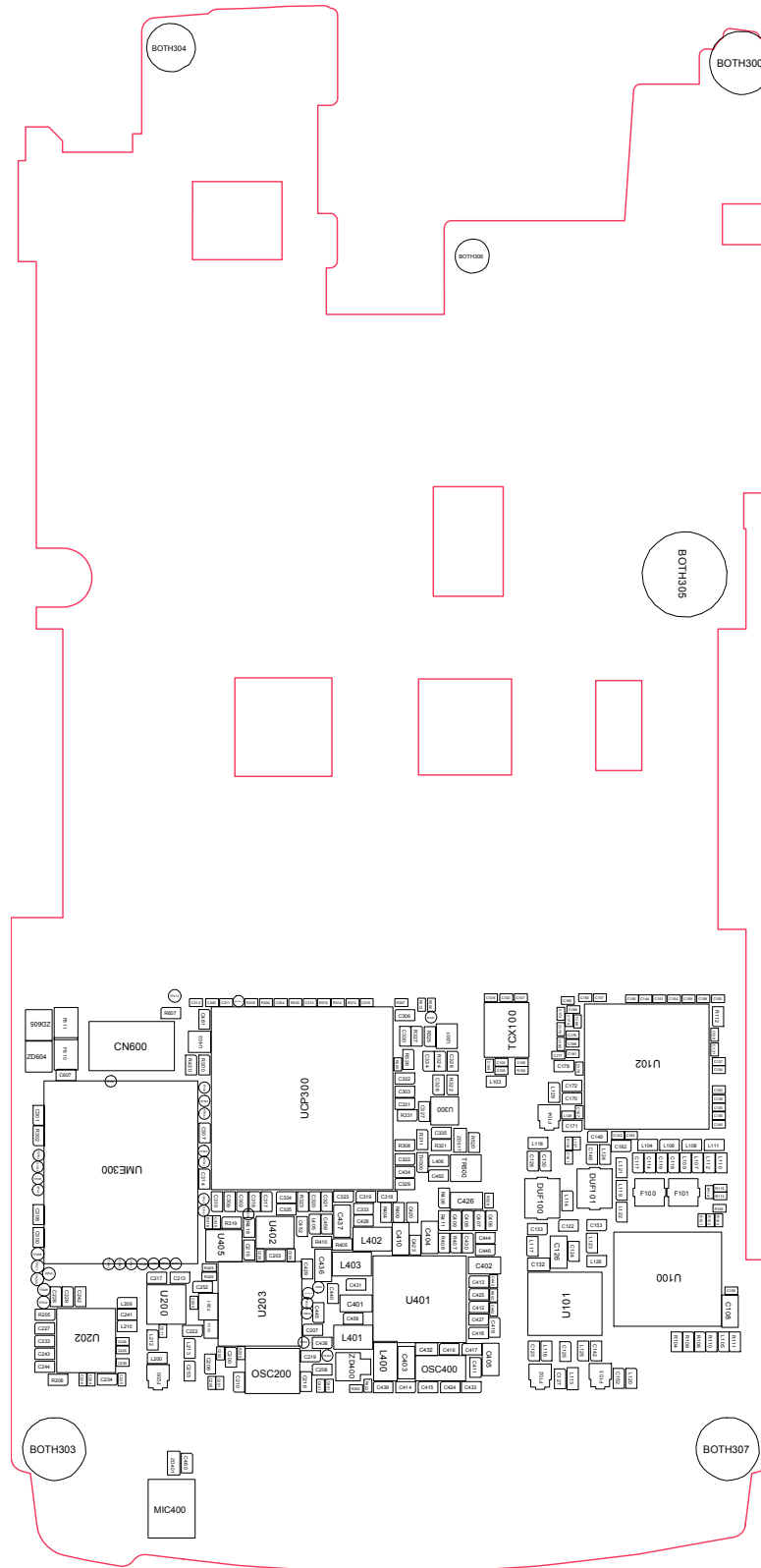


8-2. PCB Diagrams

8-2-1. Top

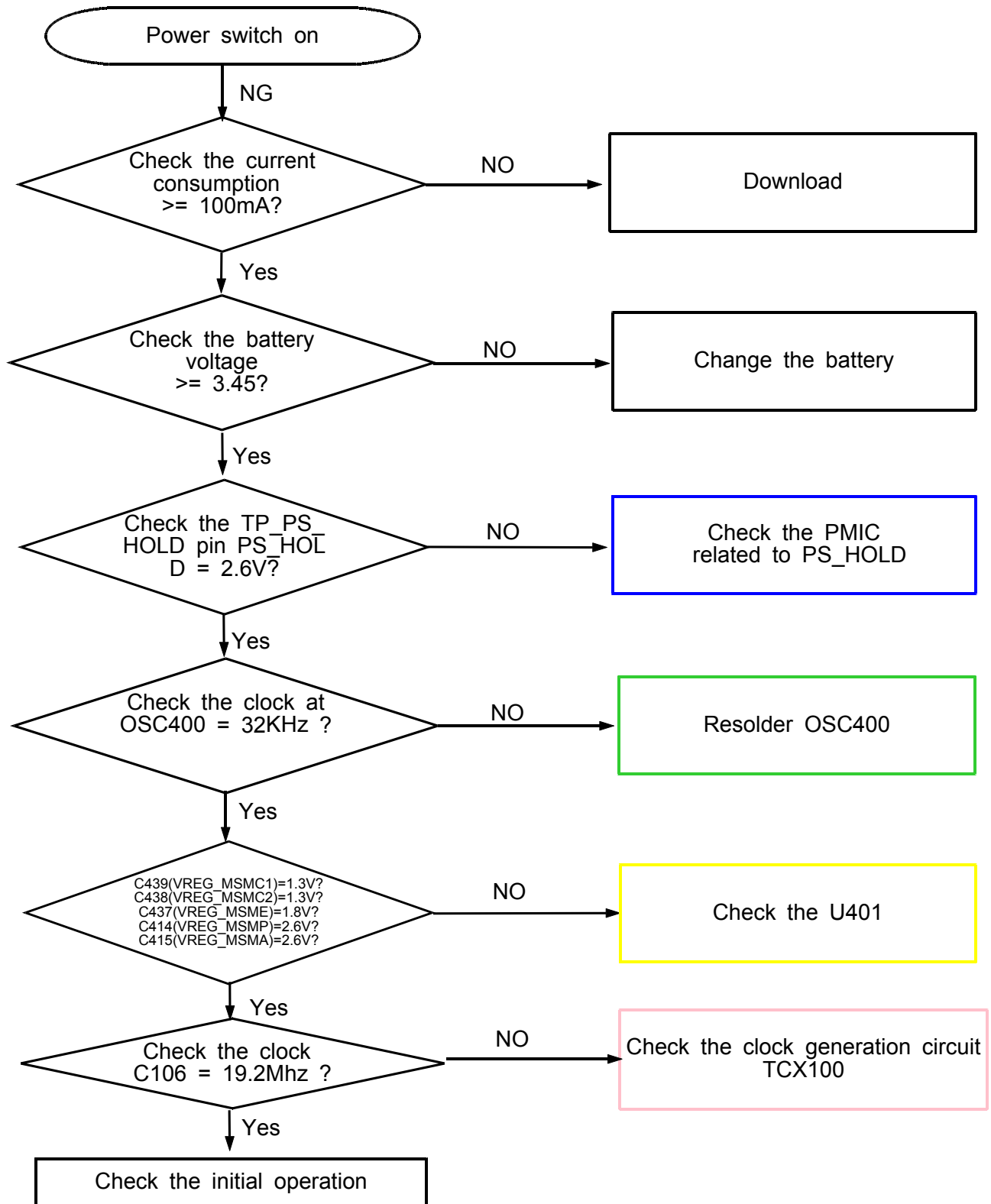


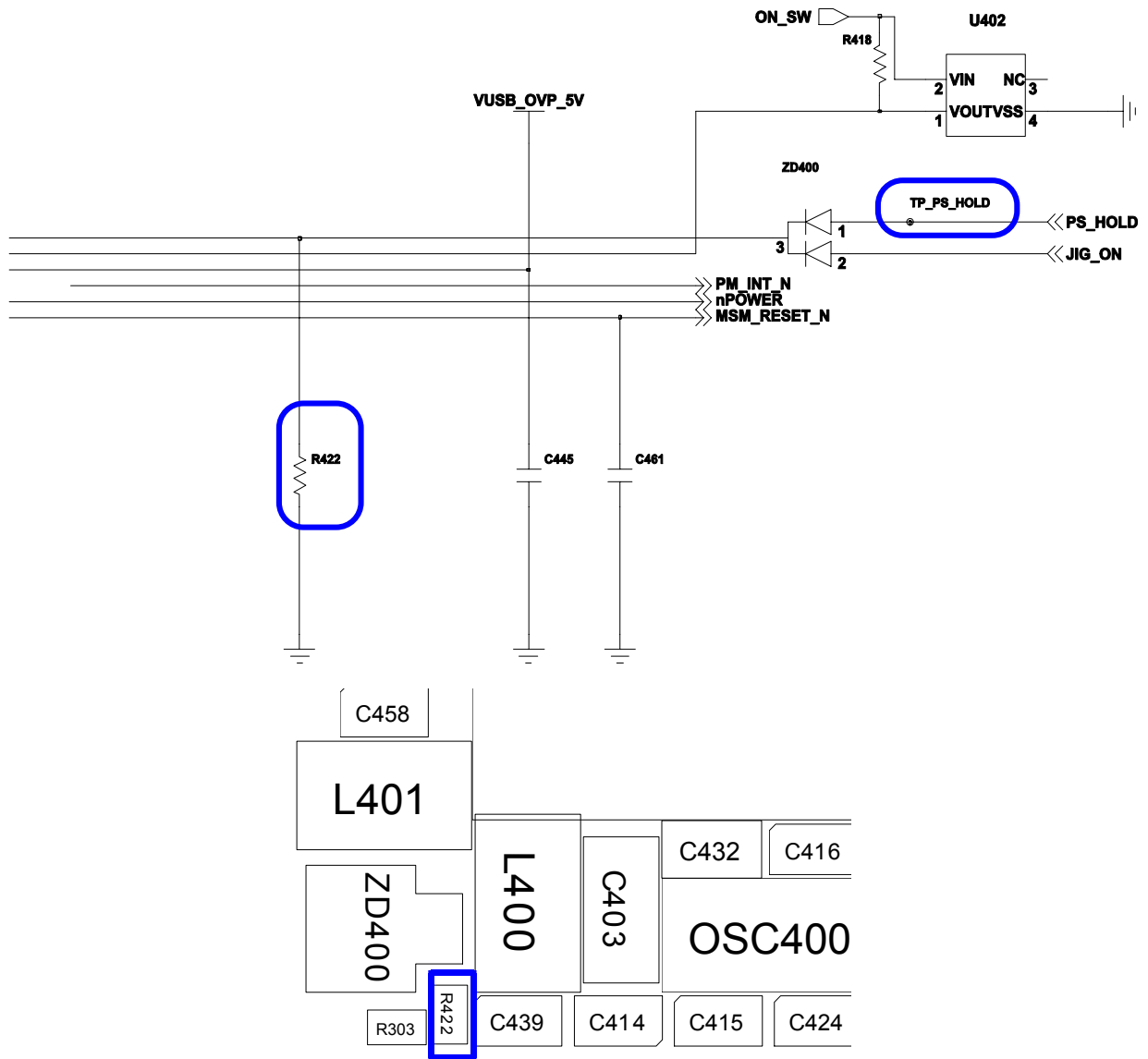
8-2-1. Bottom

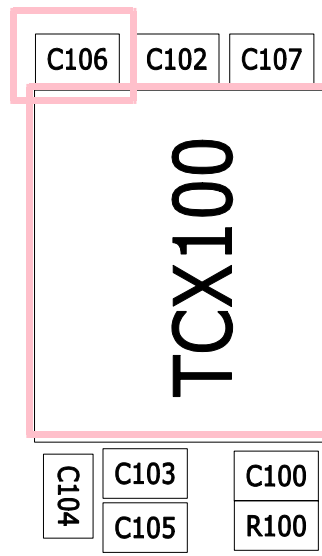
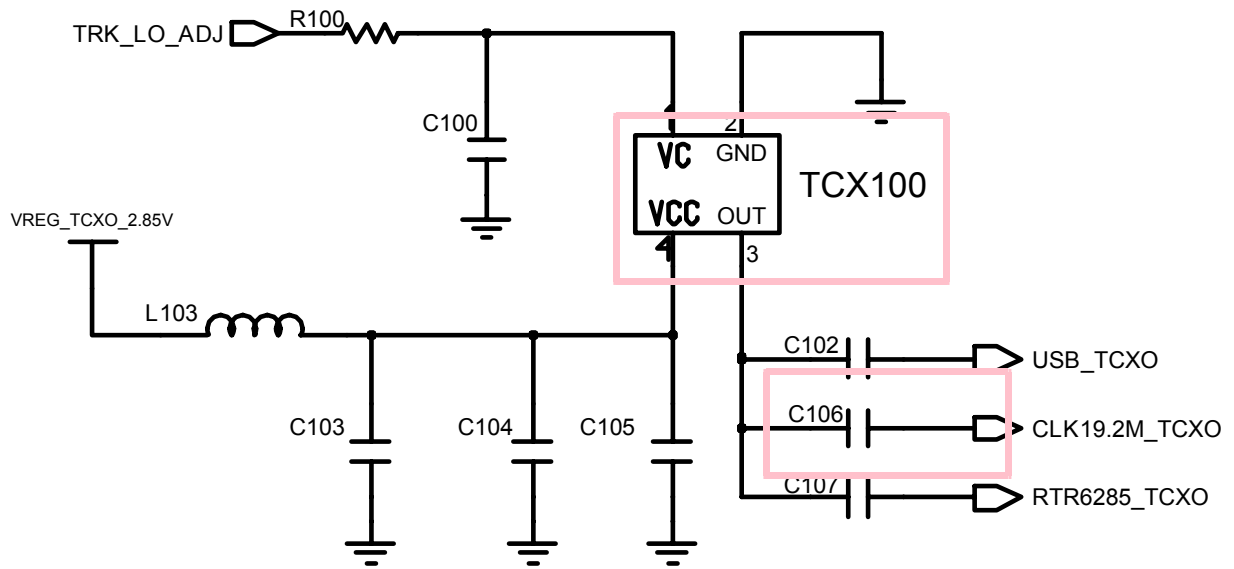


8-3. LOGIC

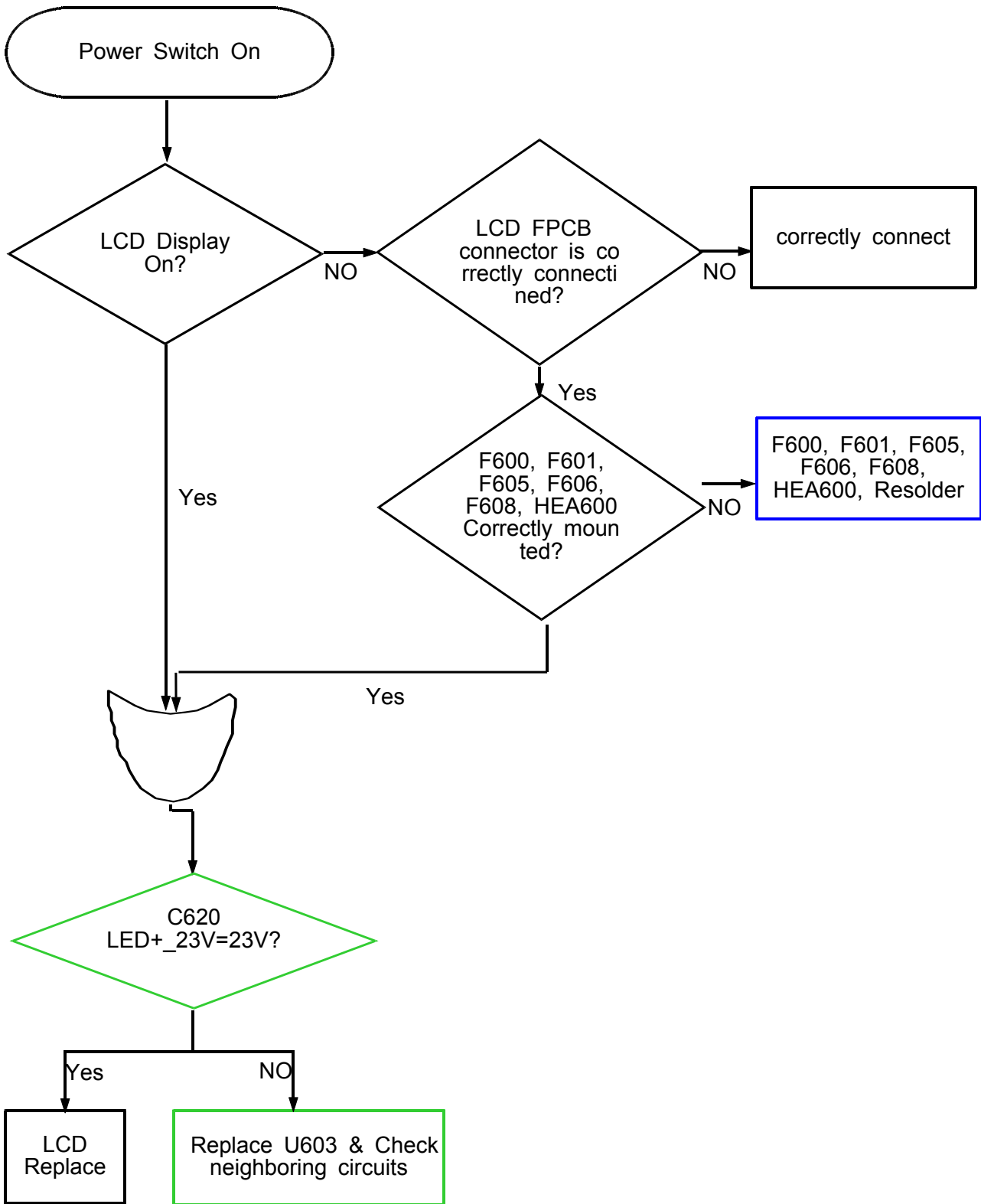
8-3-1. Power On

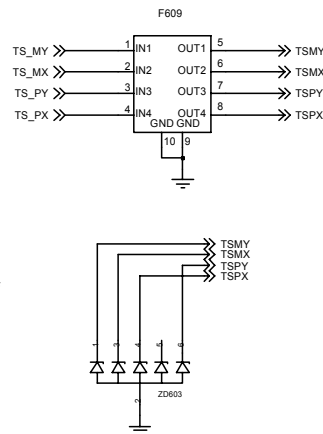
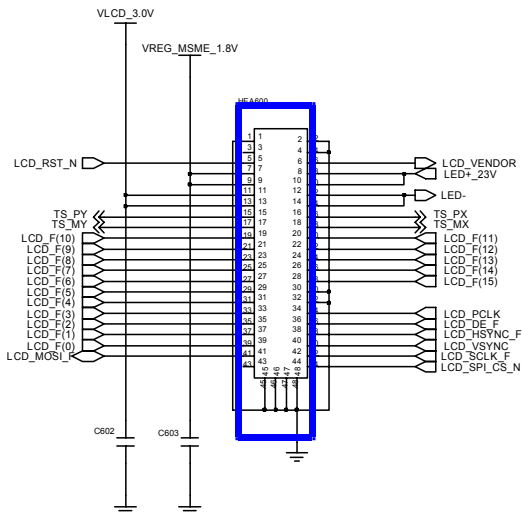
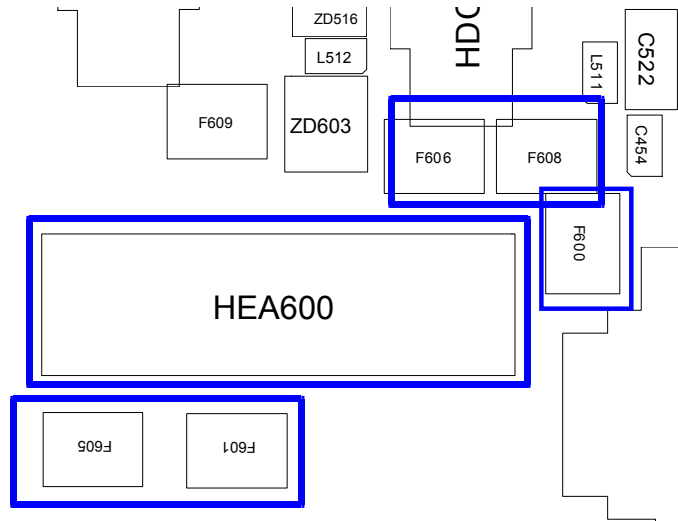
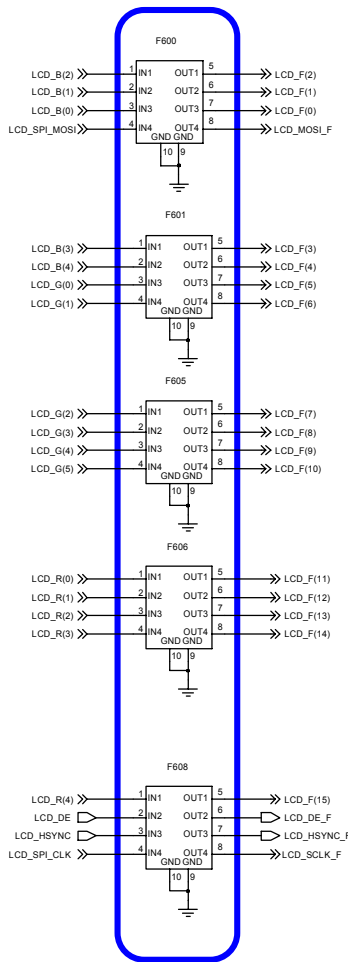


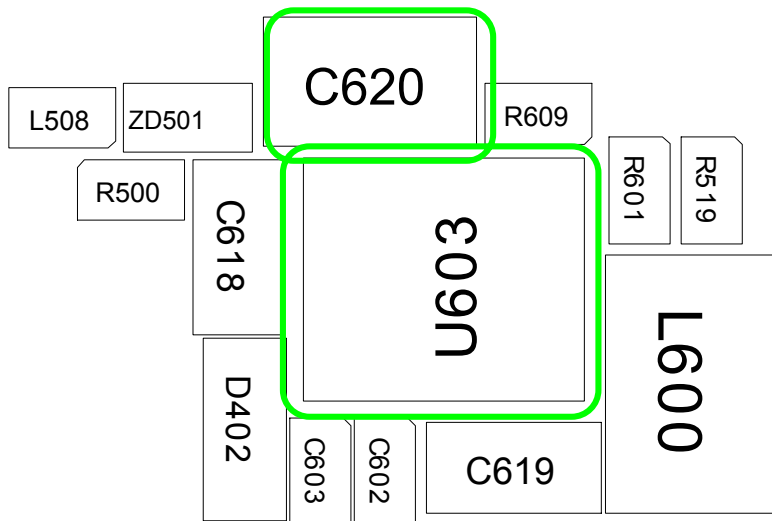
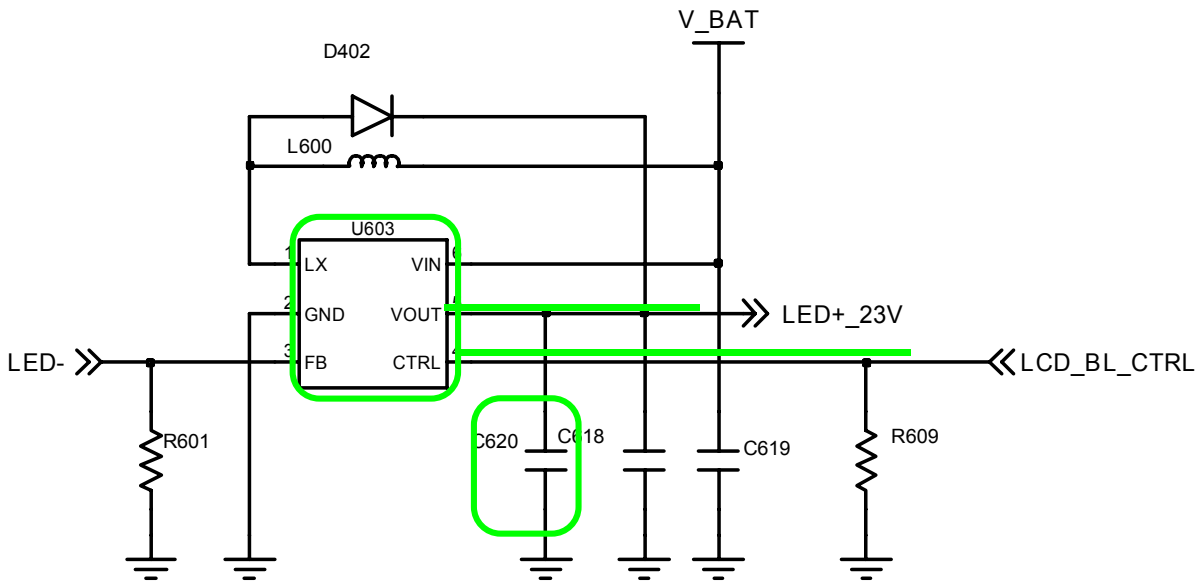




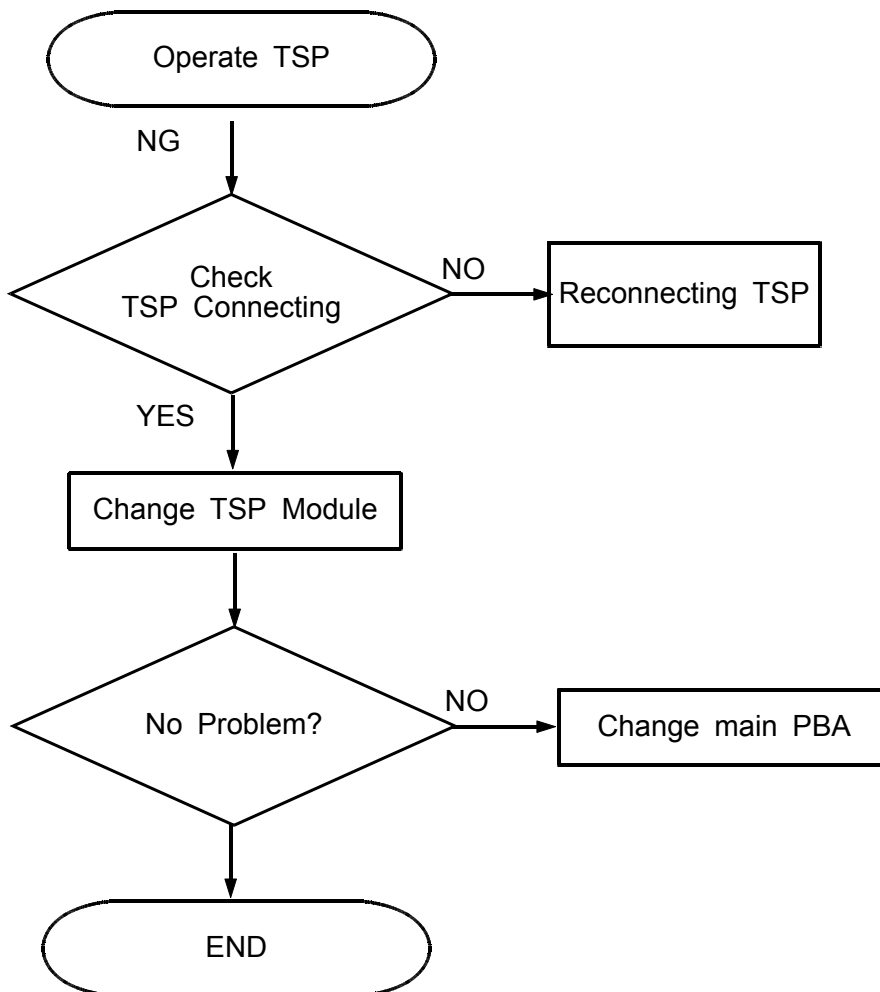
8-3-2. LCD Working





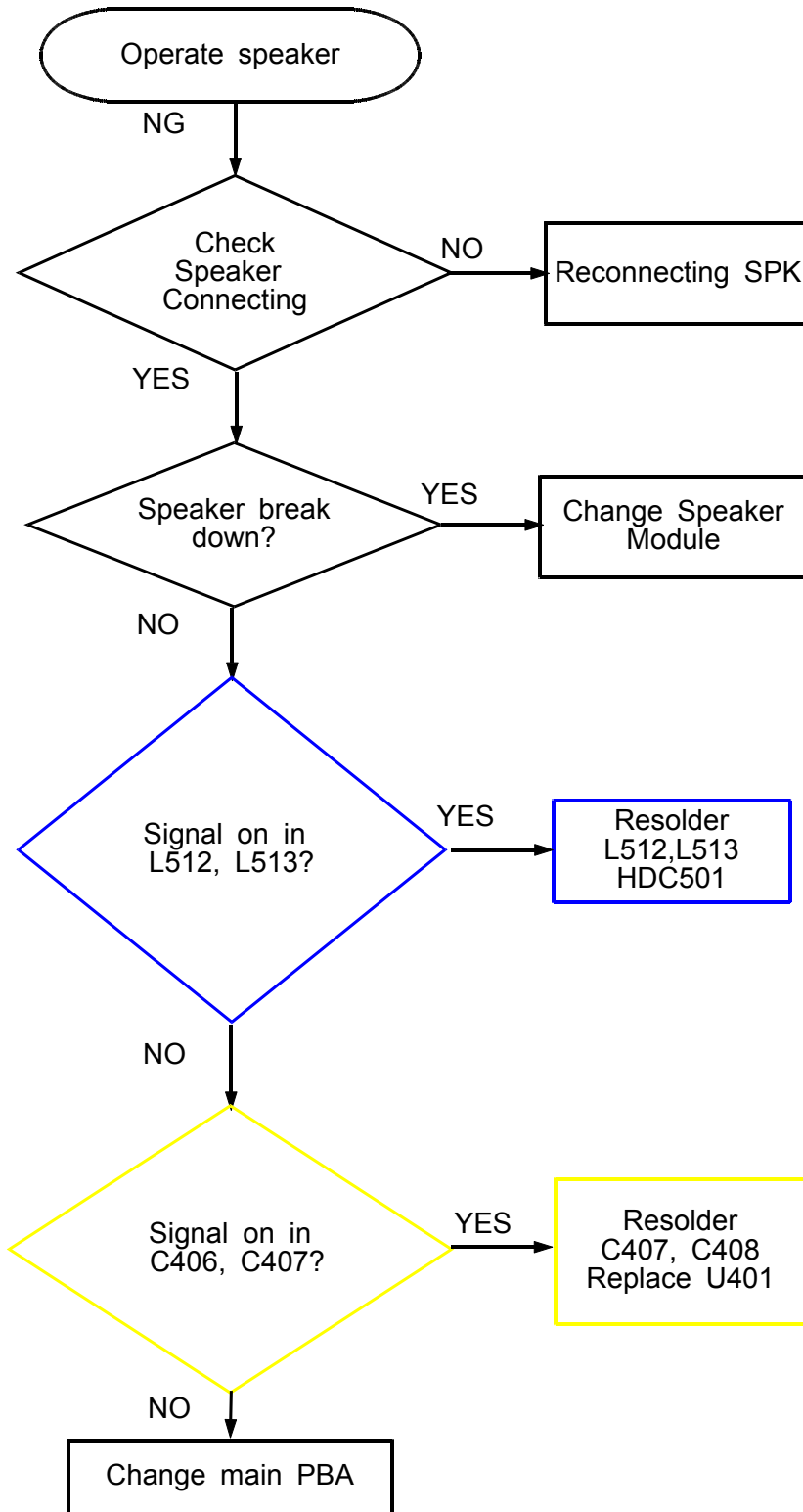


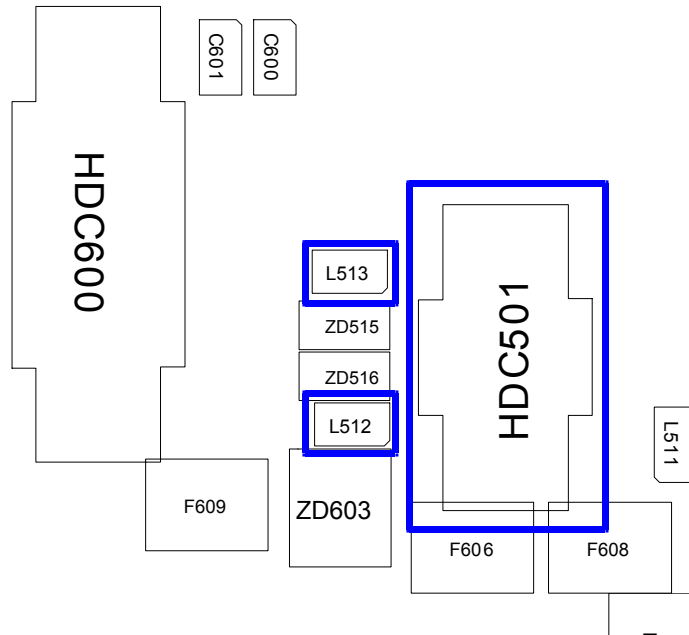
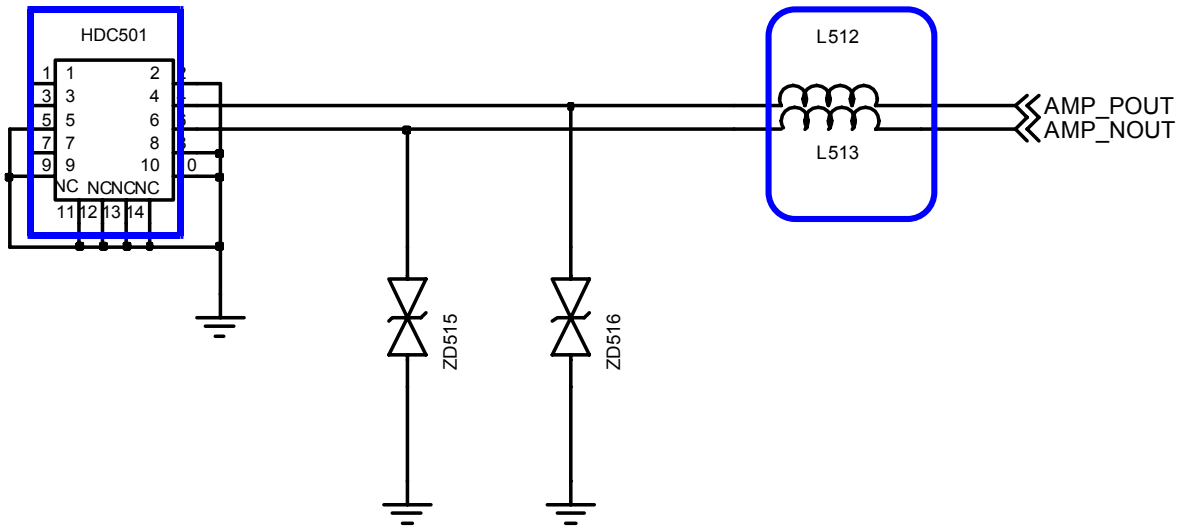
8-3-3. TSP

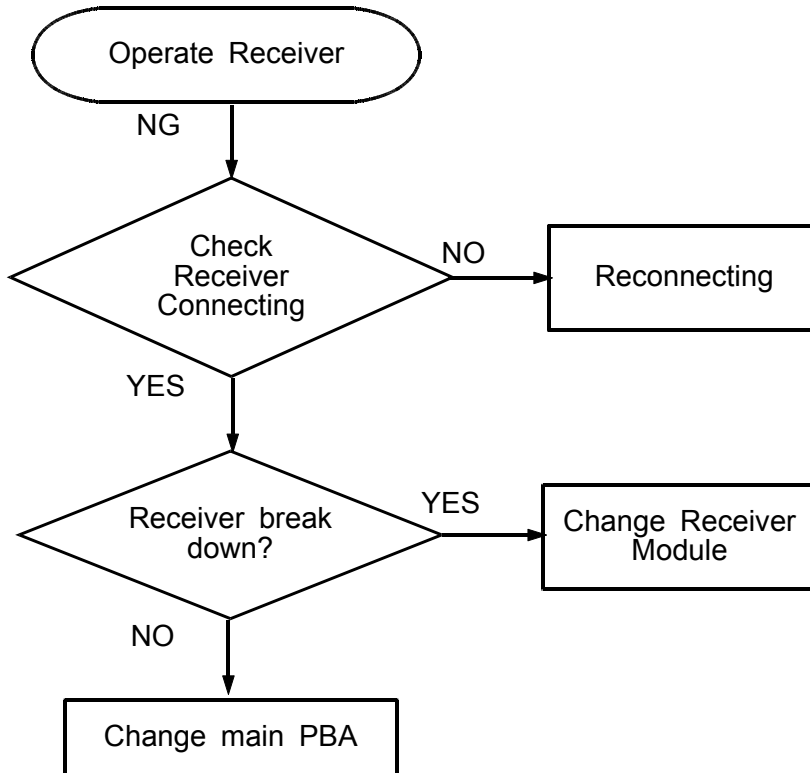


8-3-4. Audio Working

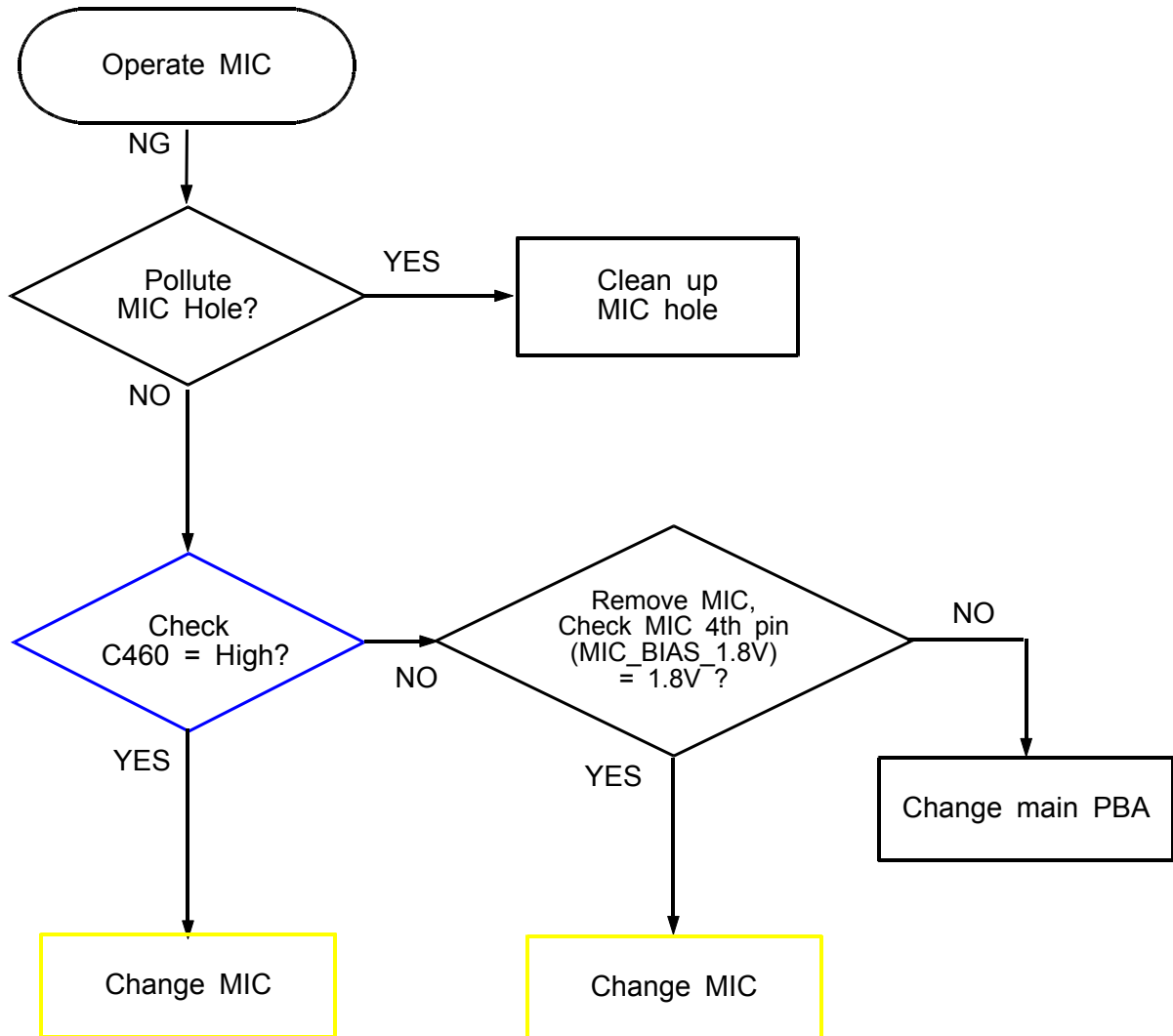
● Speaker Working

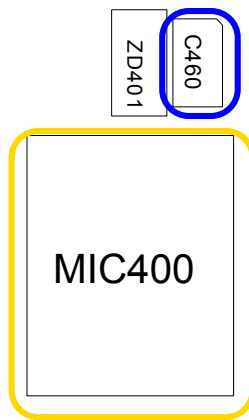
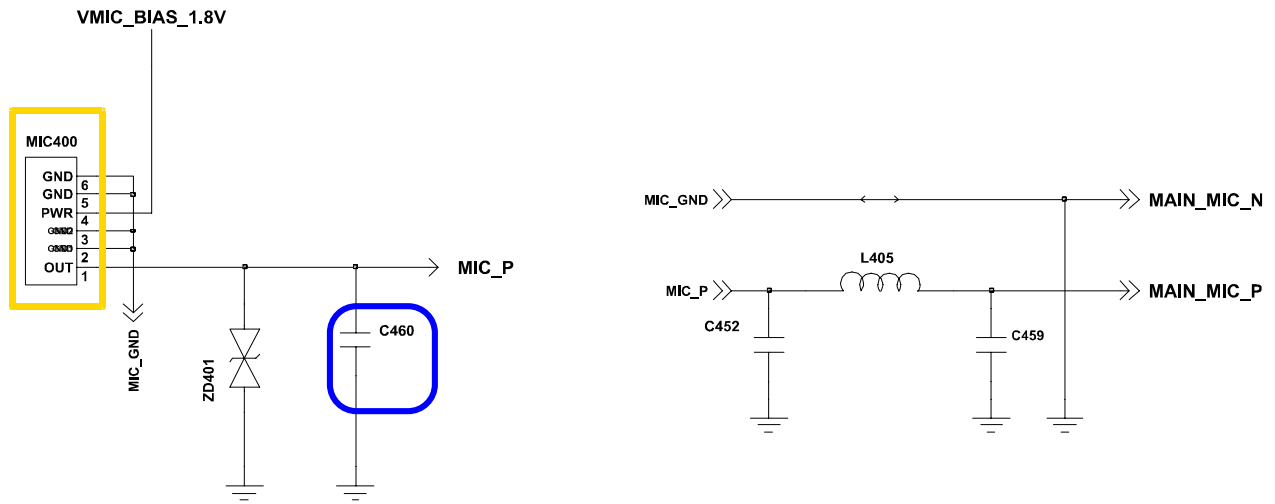




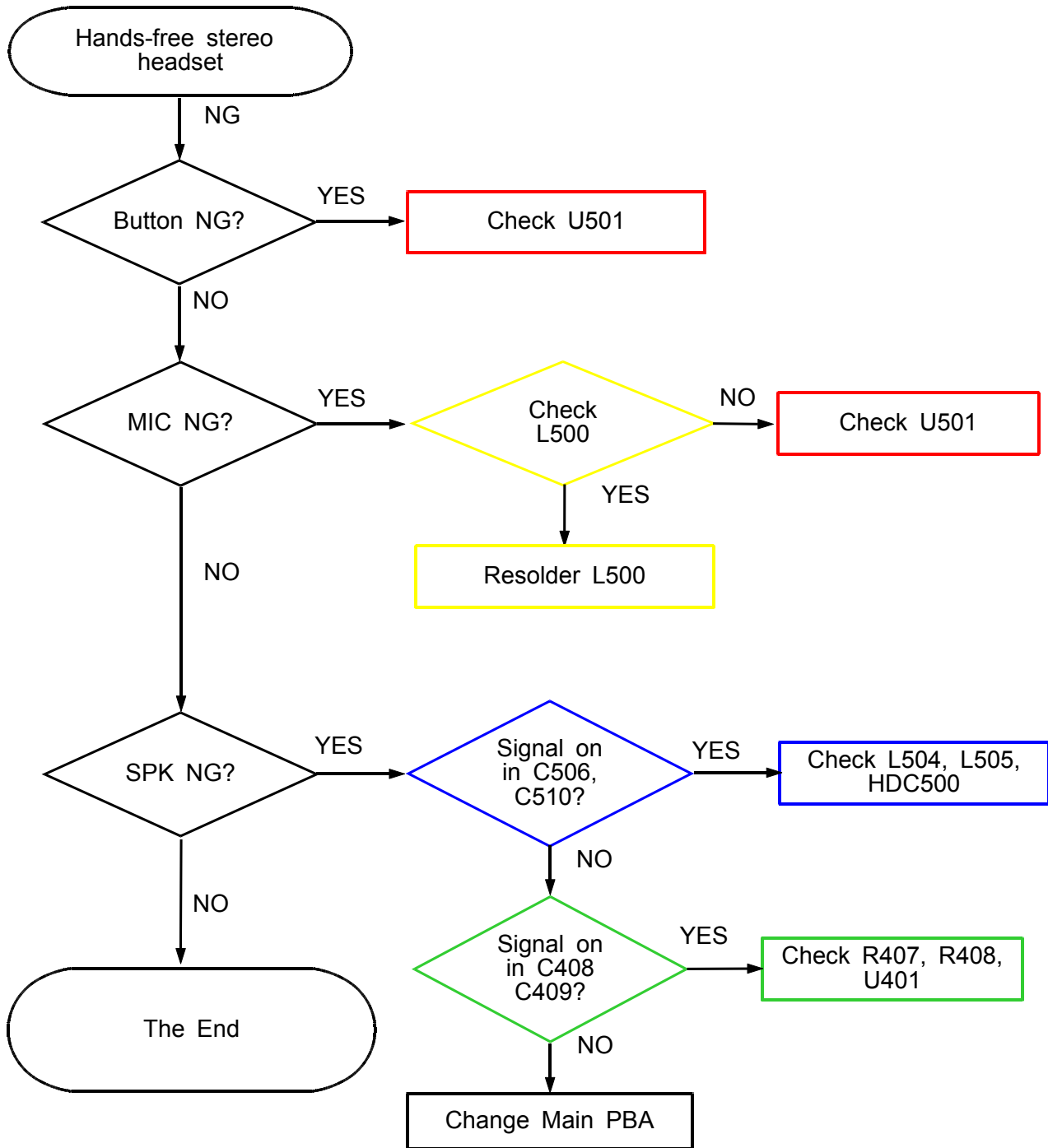
● Receiver Working

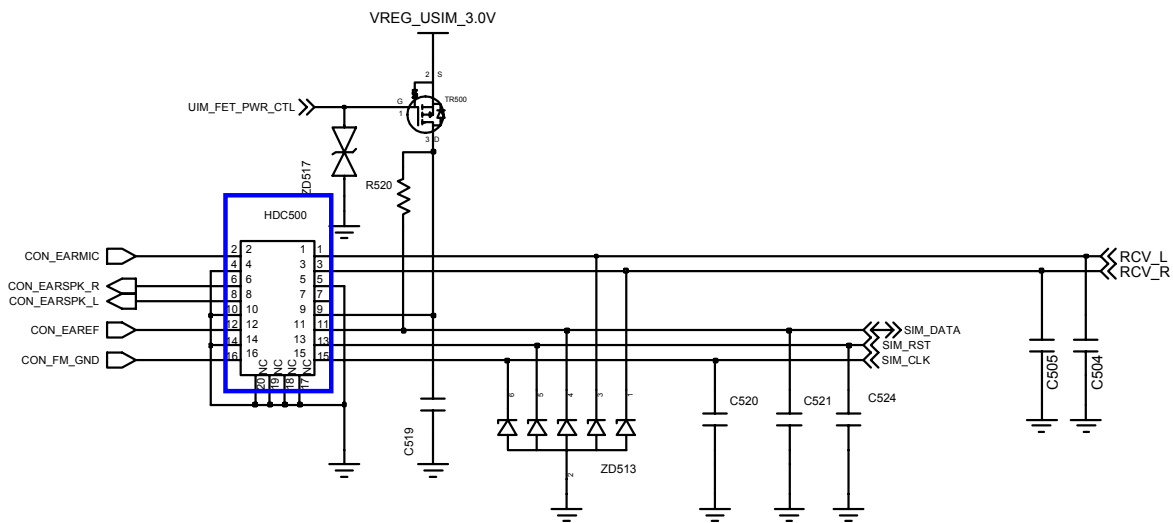
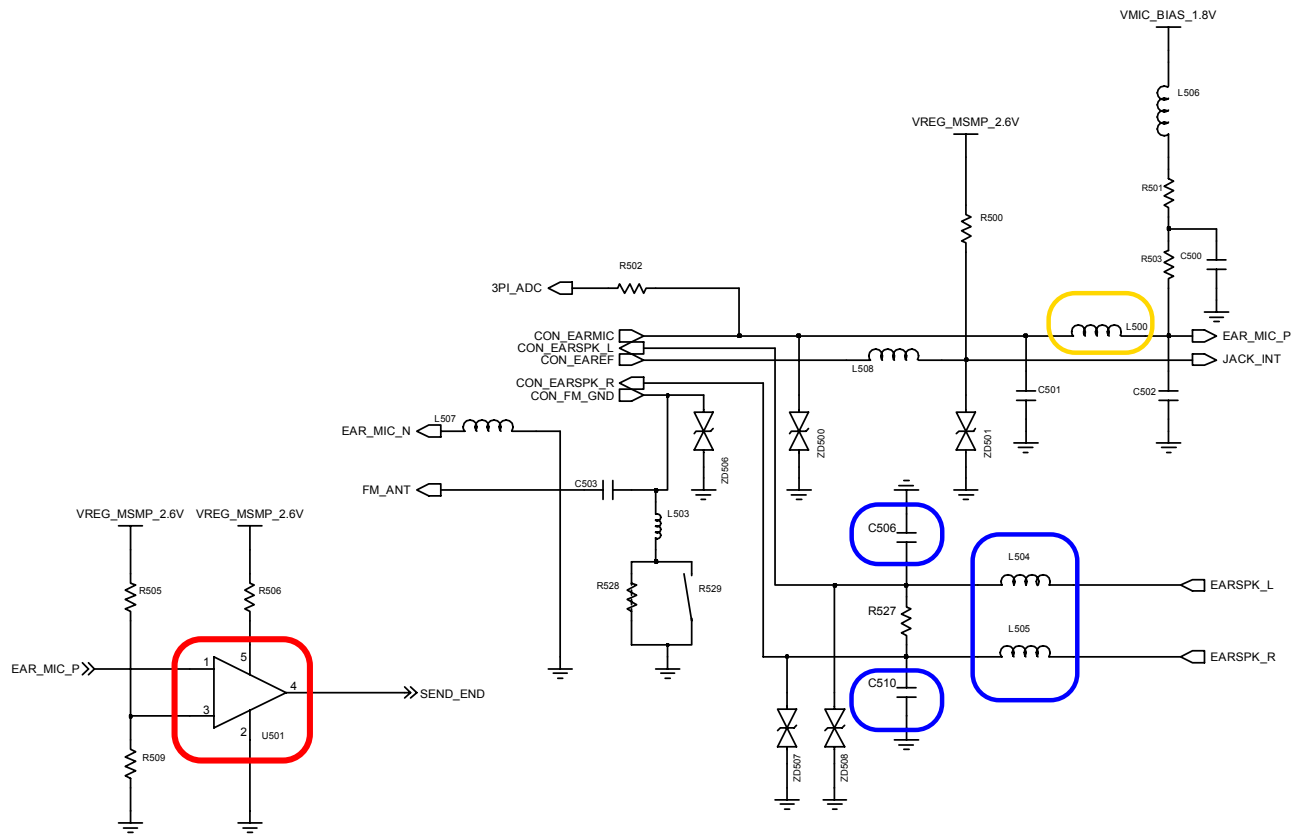
● Main MIC Working

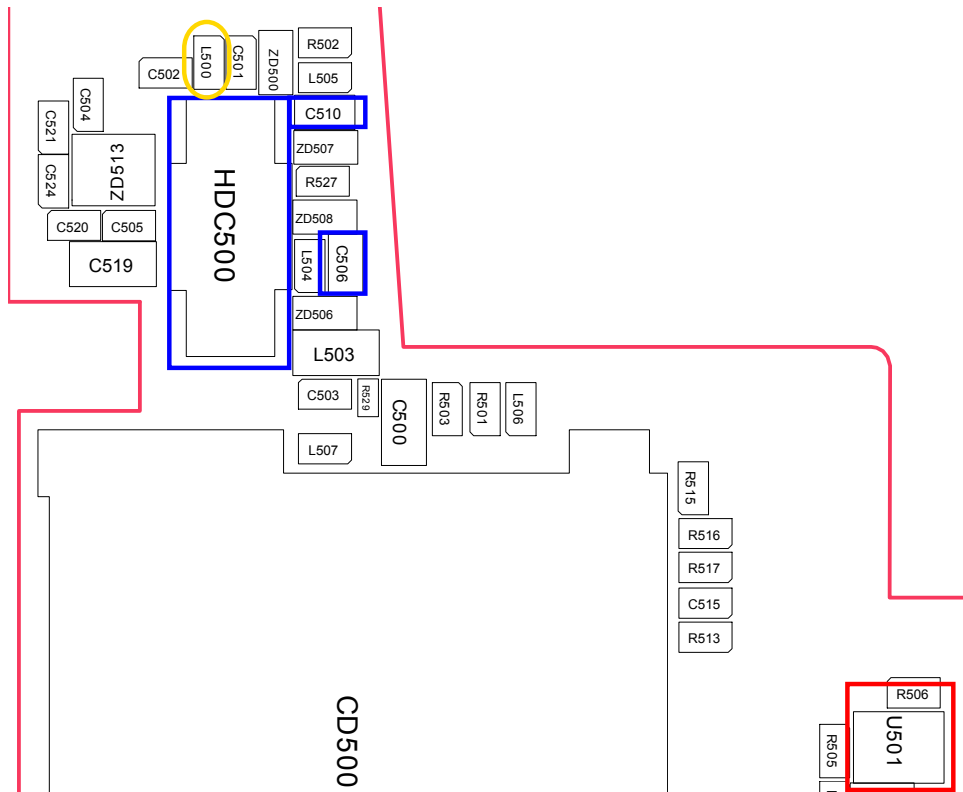


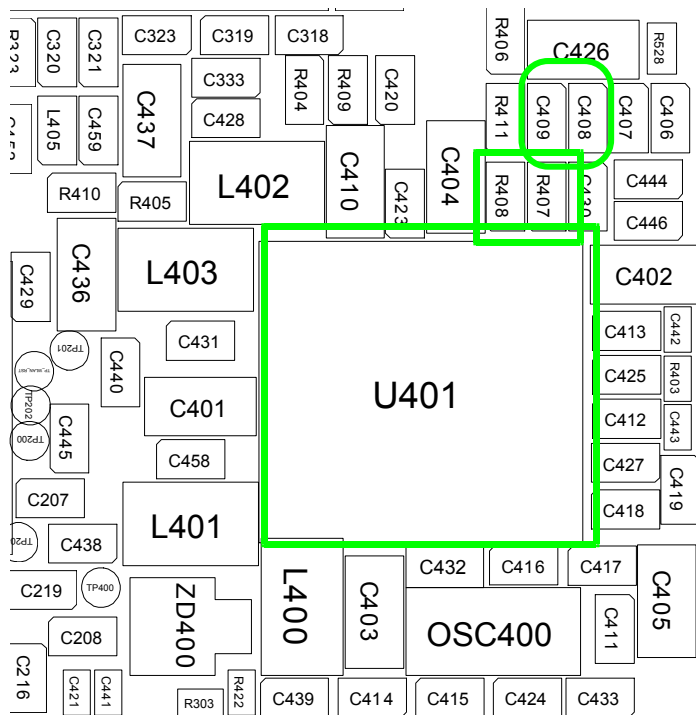
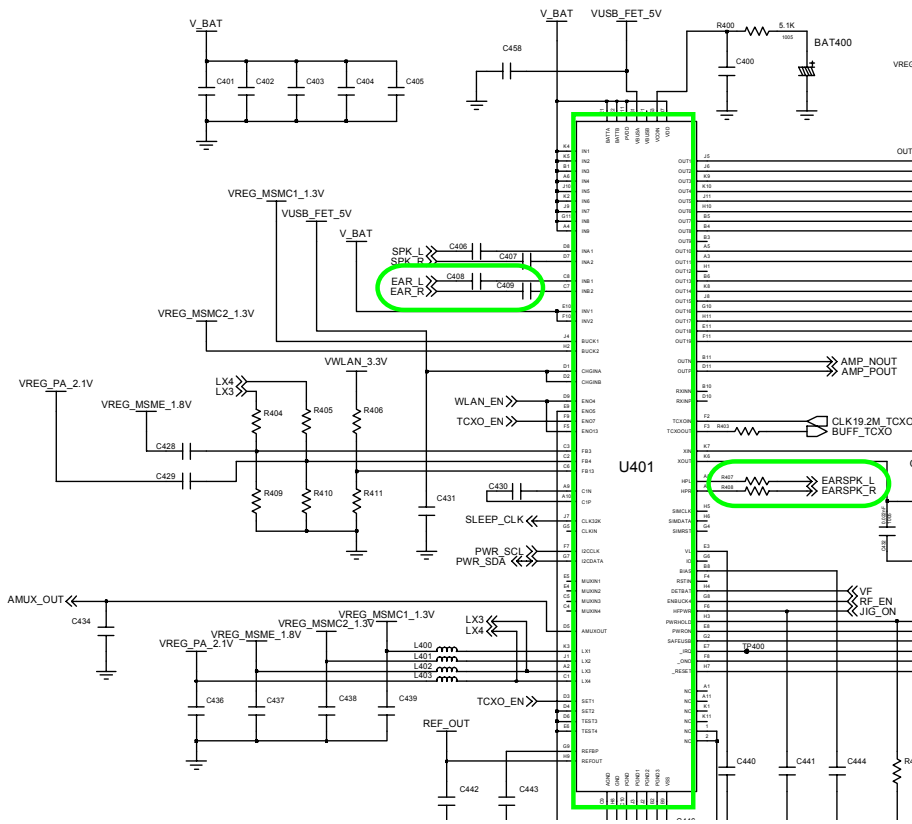


■ Stereo Headset Working



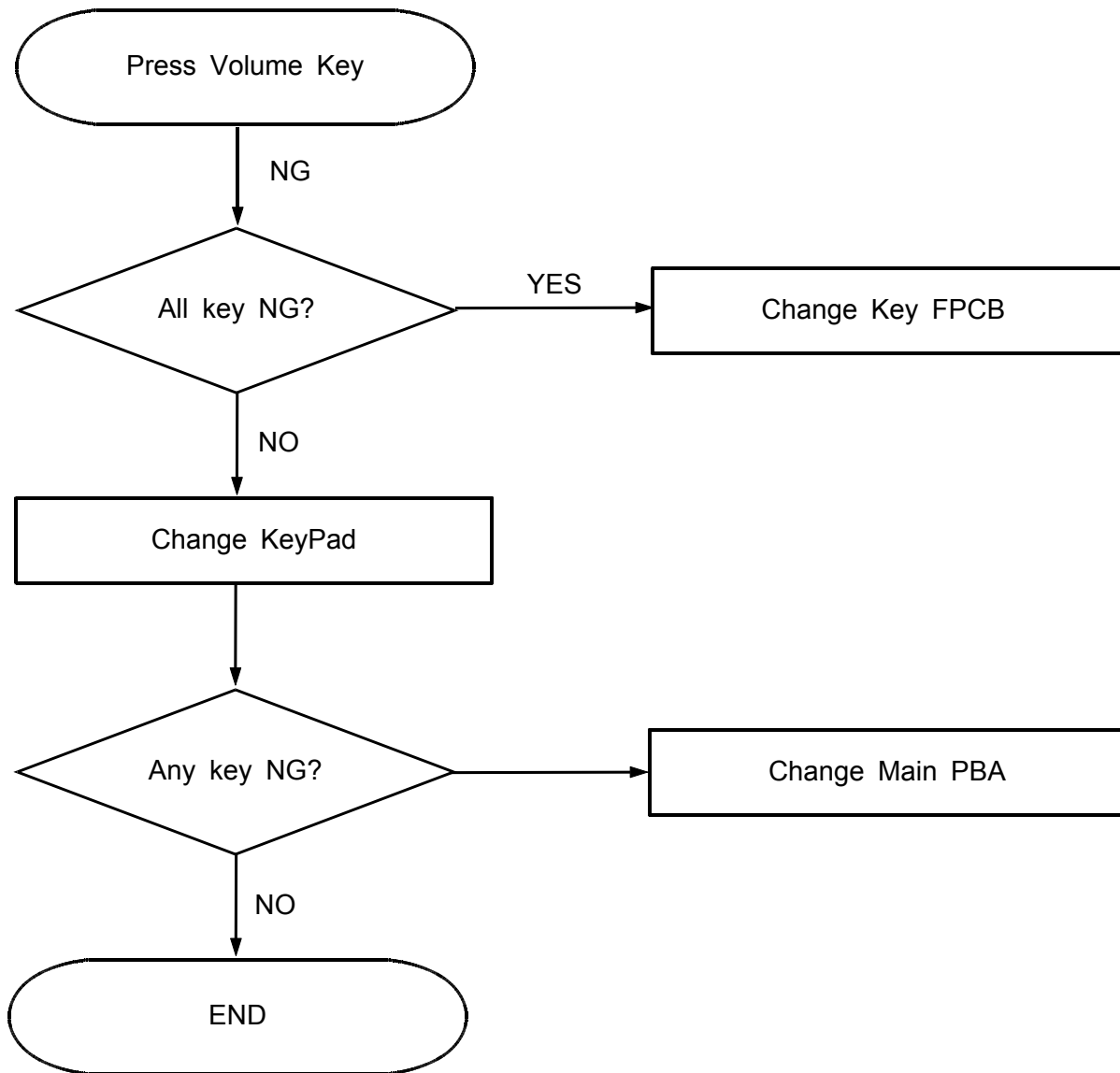




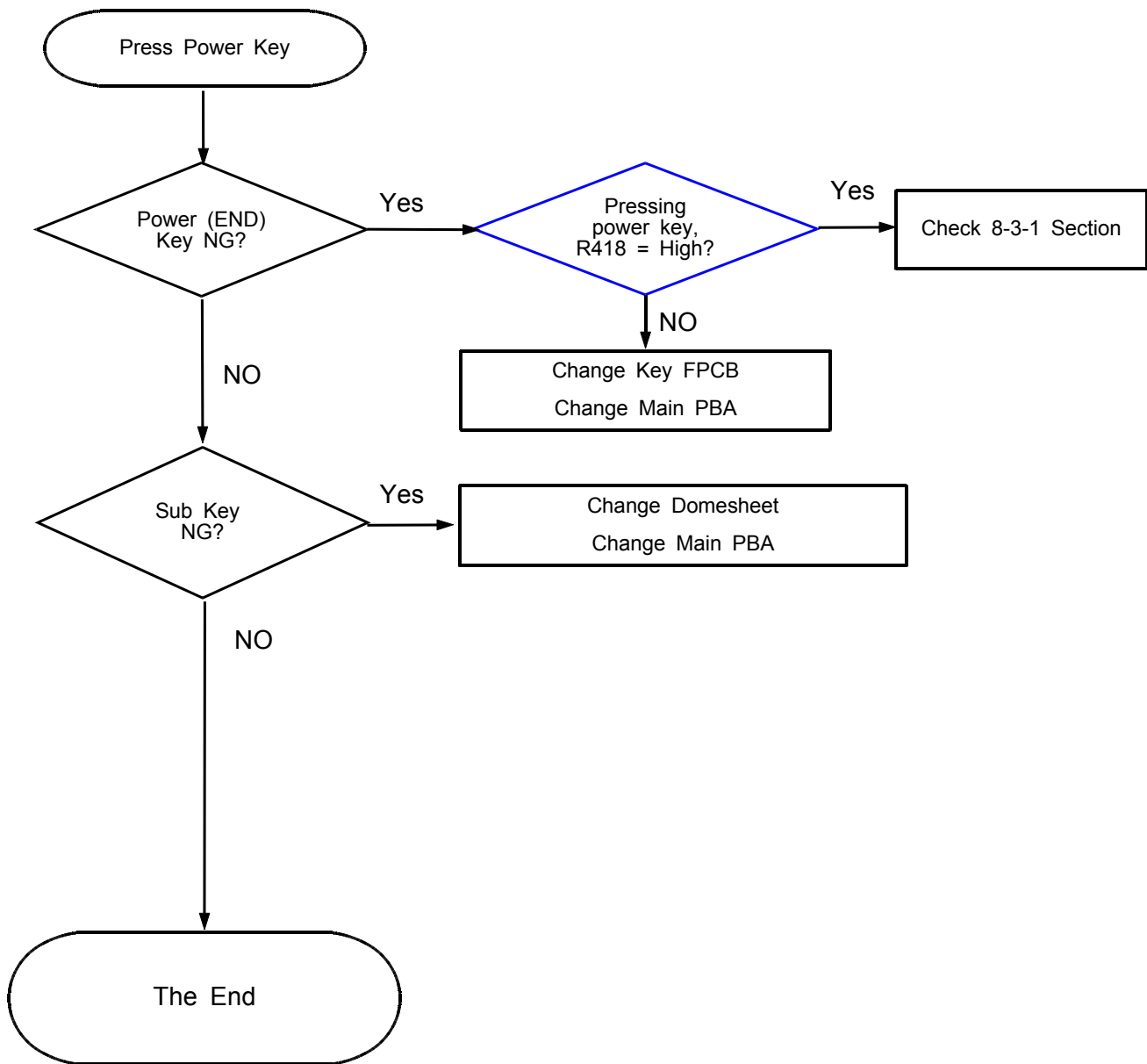


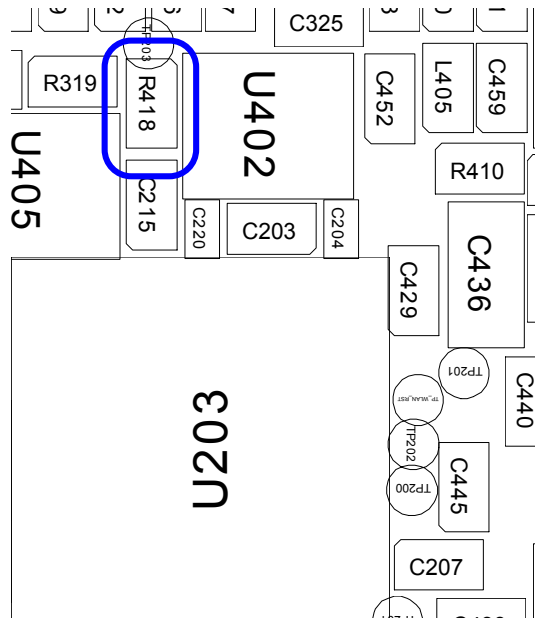
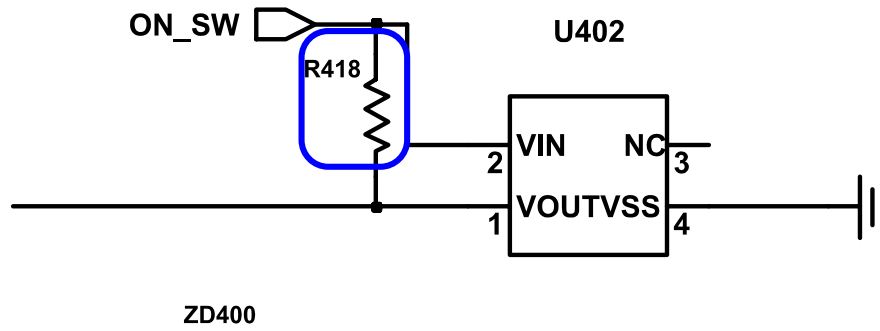
8-3-5. KEY Working

- Volume KEY

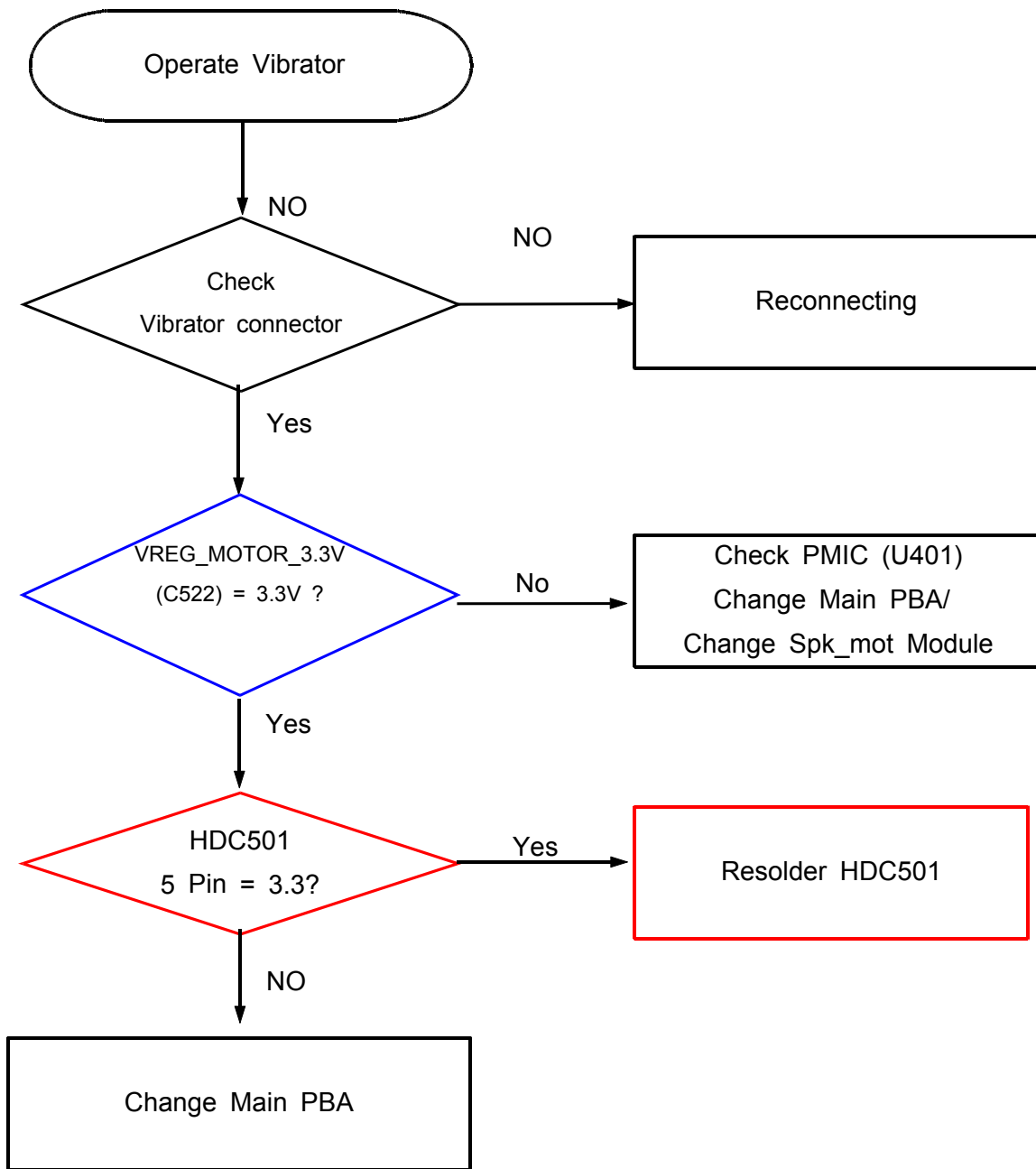


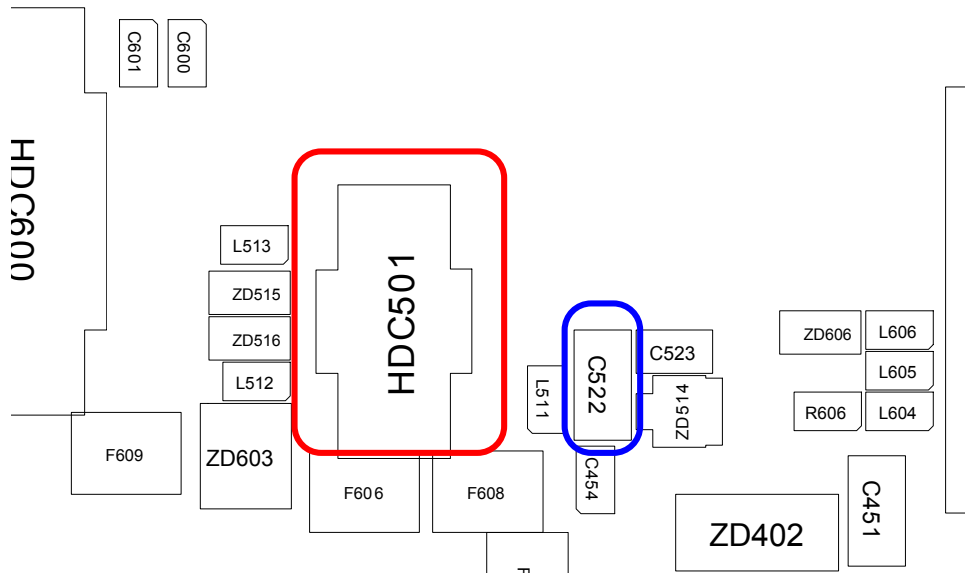
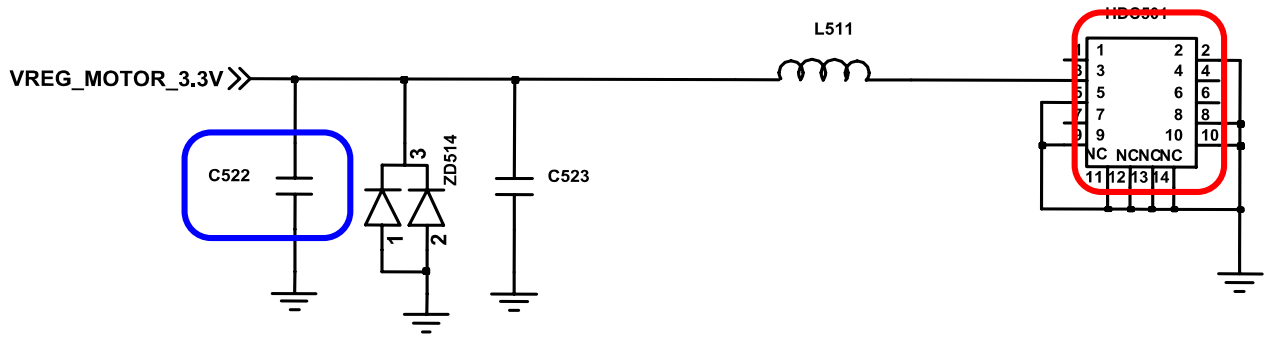
● Main Key



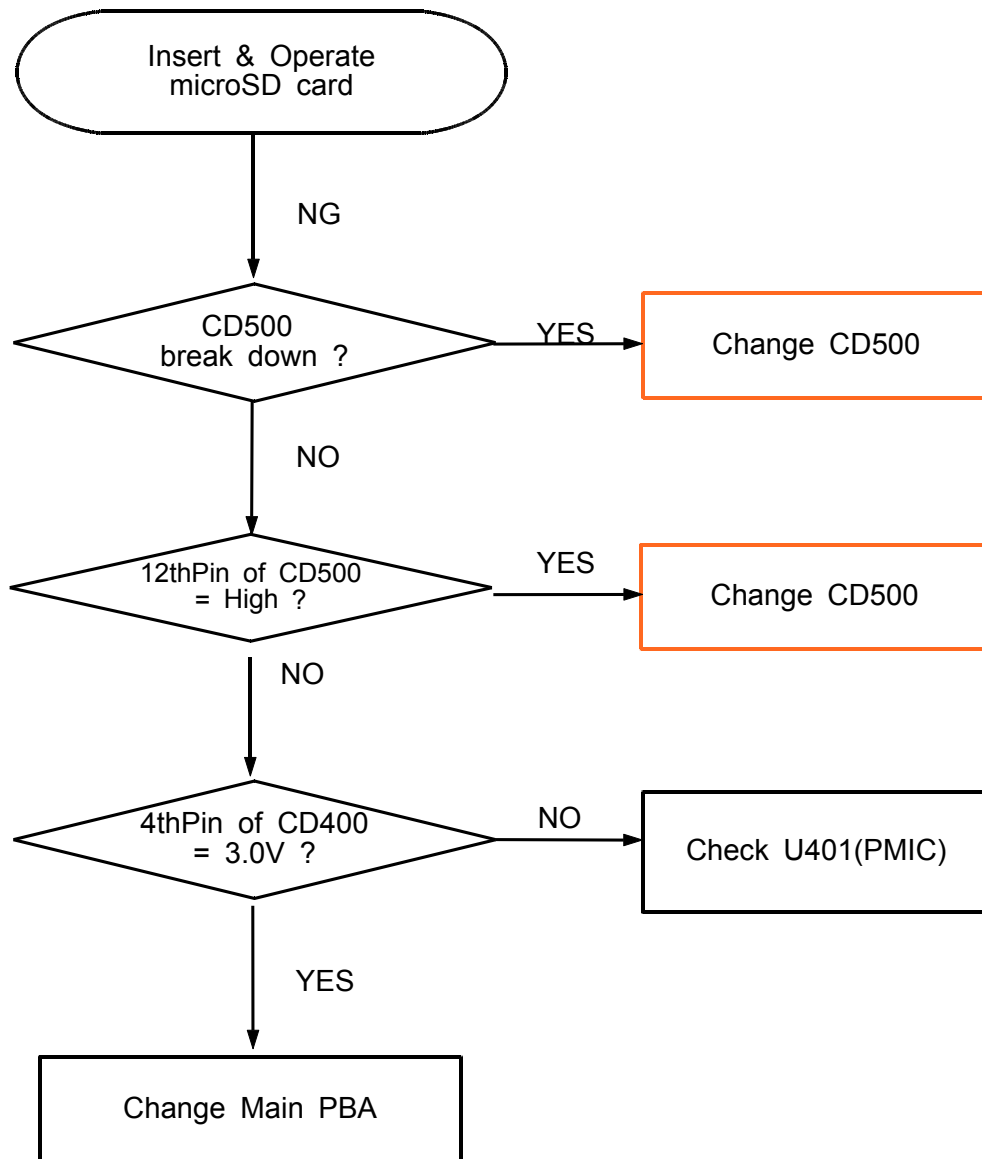


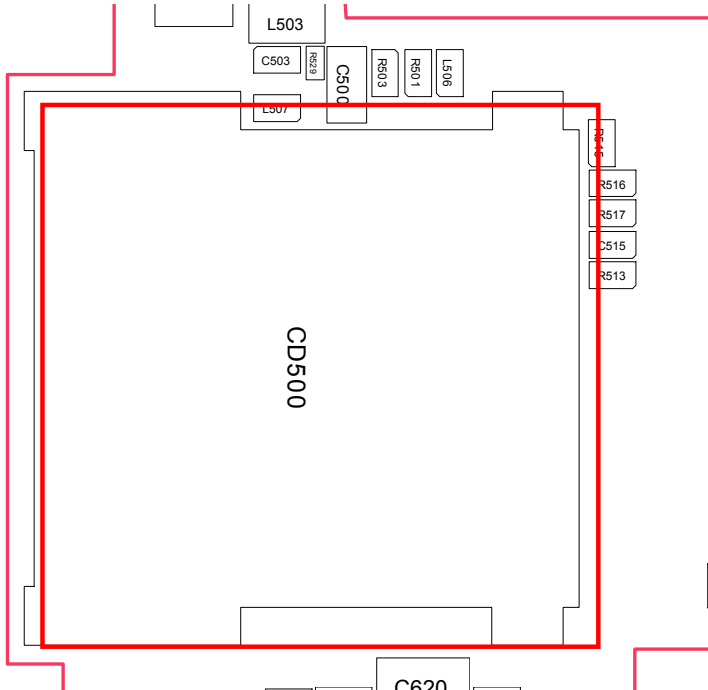
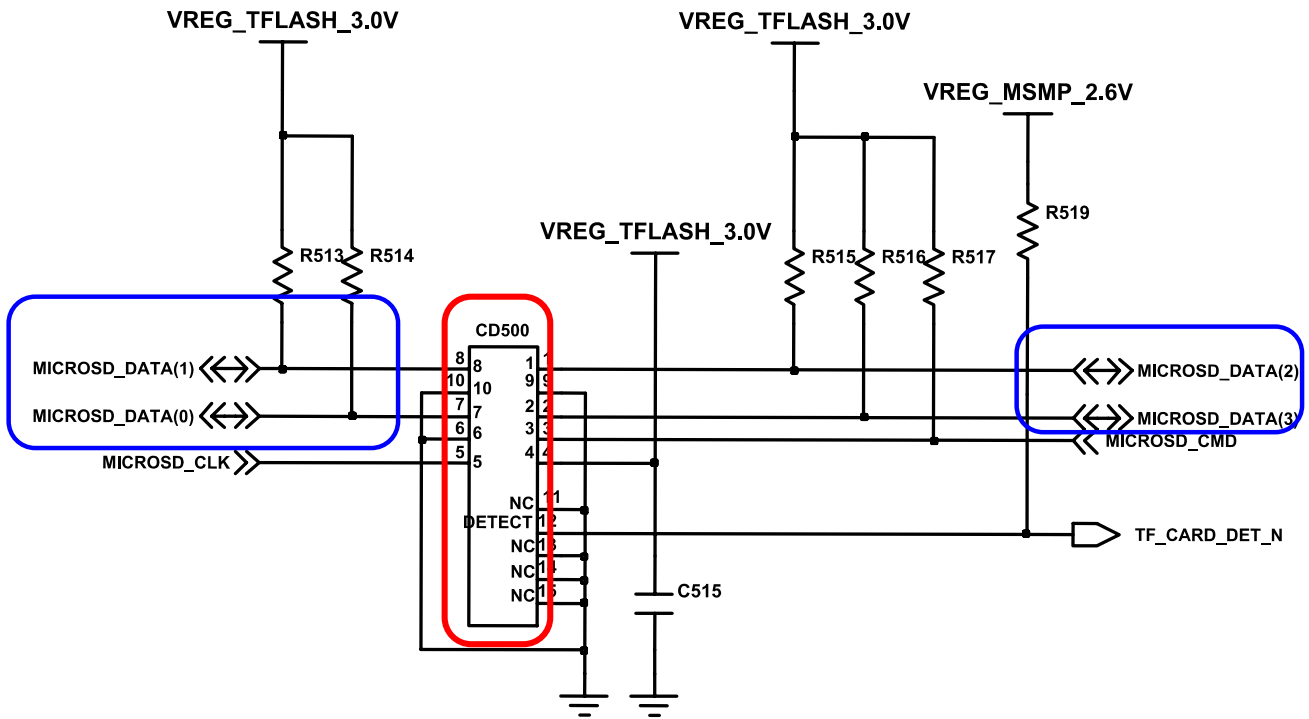
8-3-6. Vibrator Working



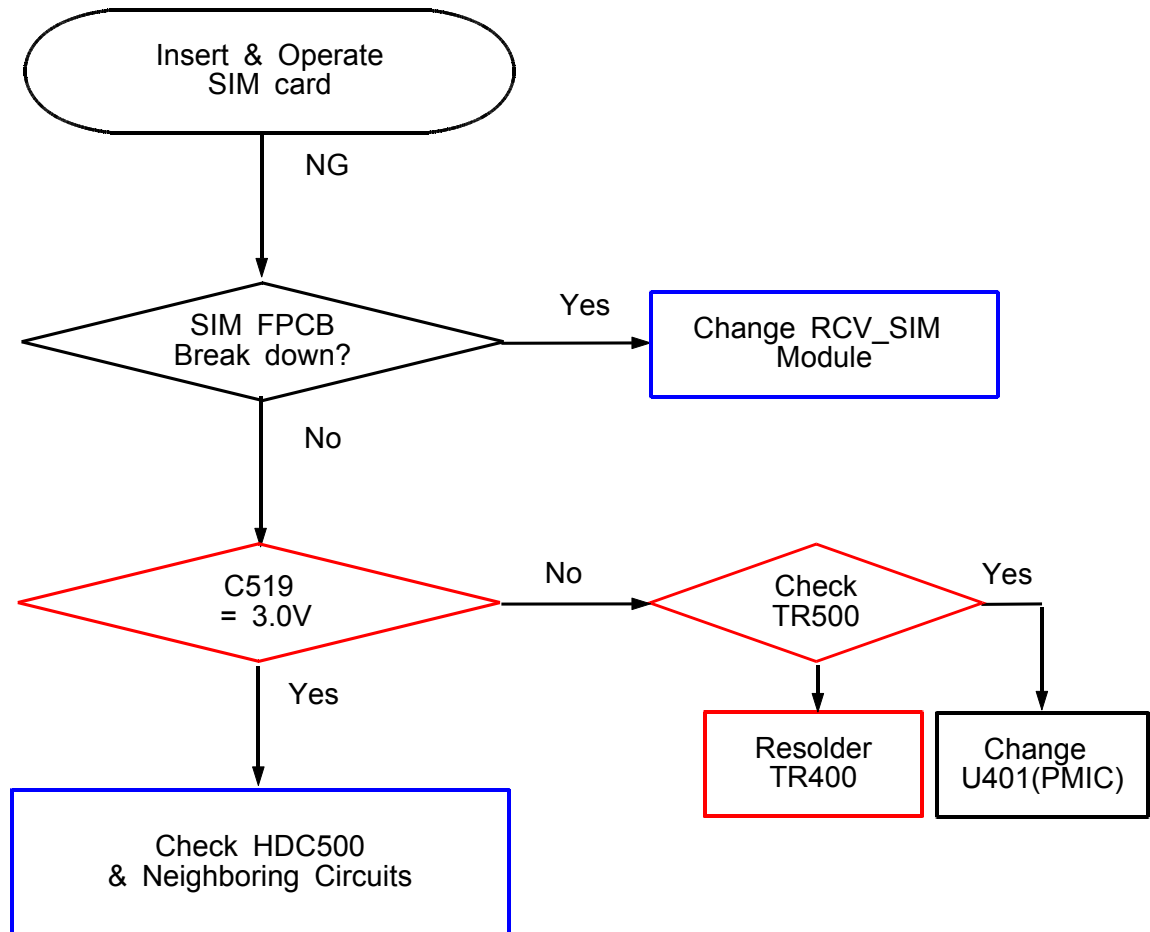


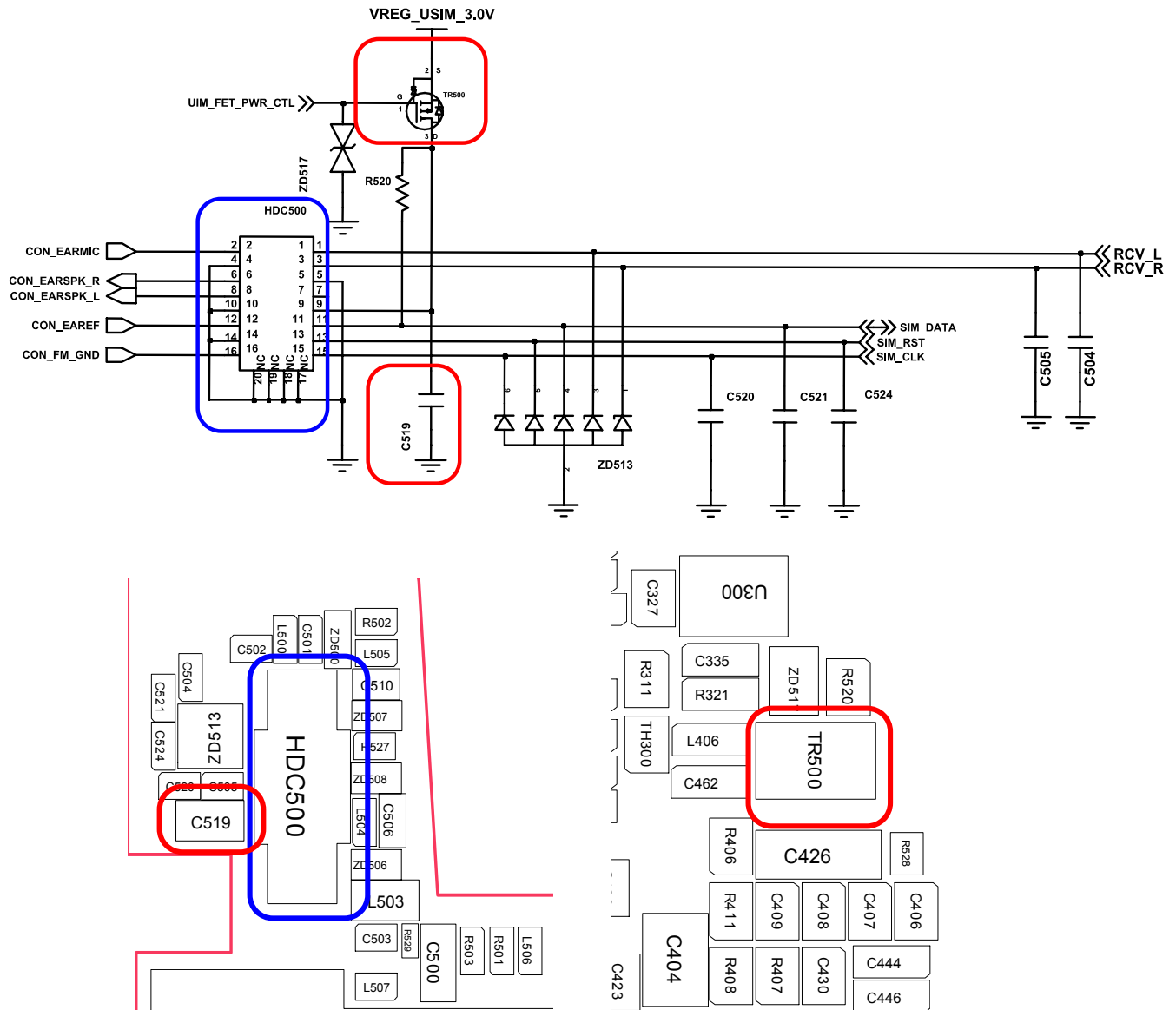
8-3-7. T-Flash Card Working

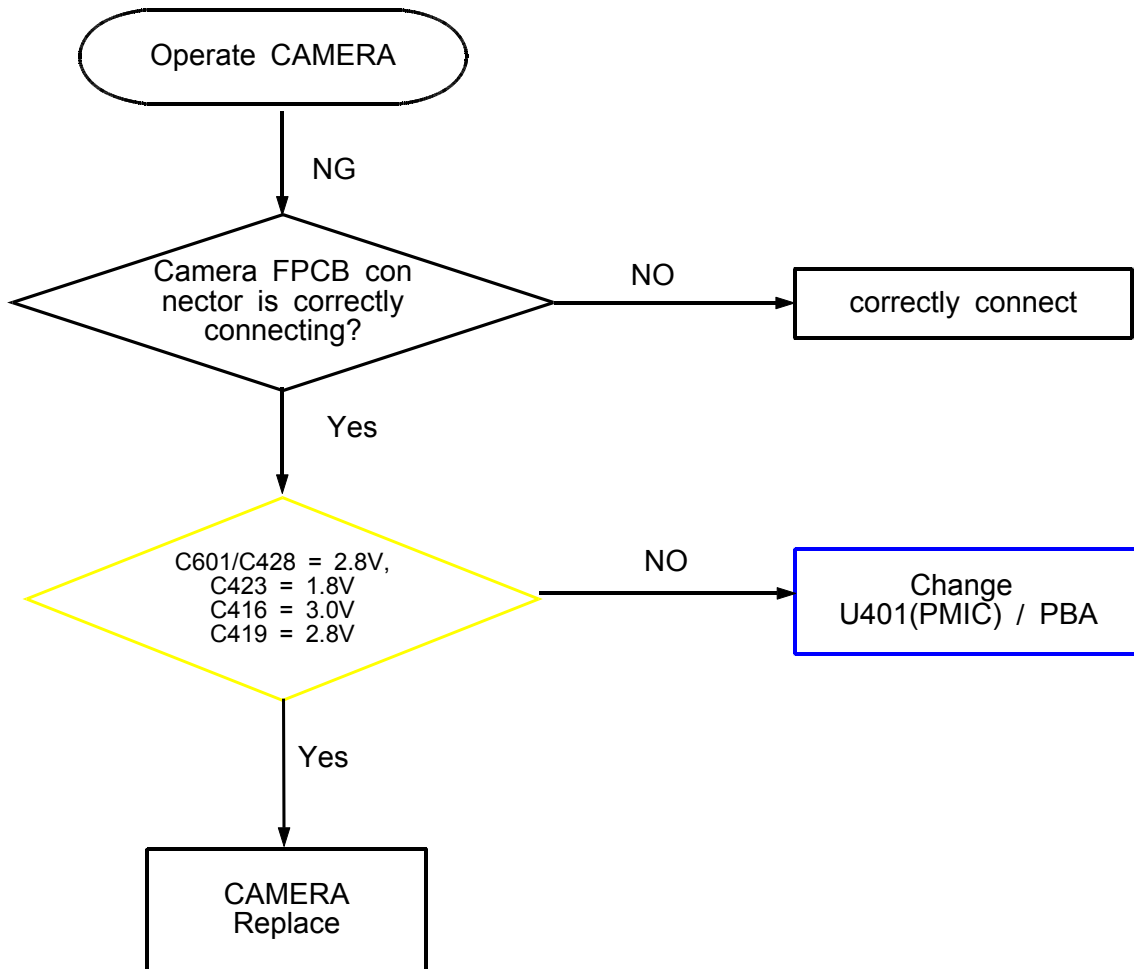


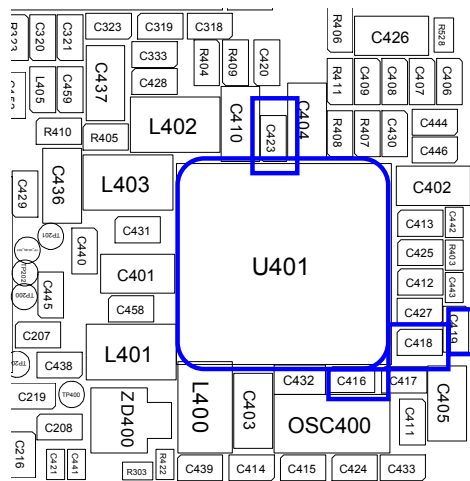
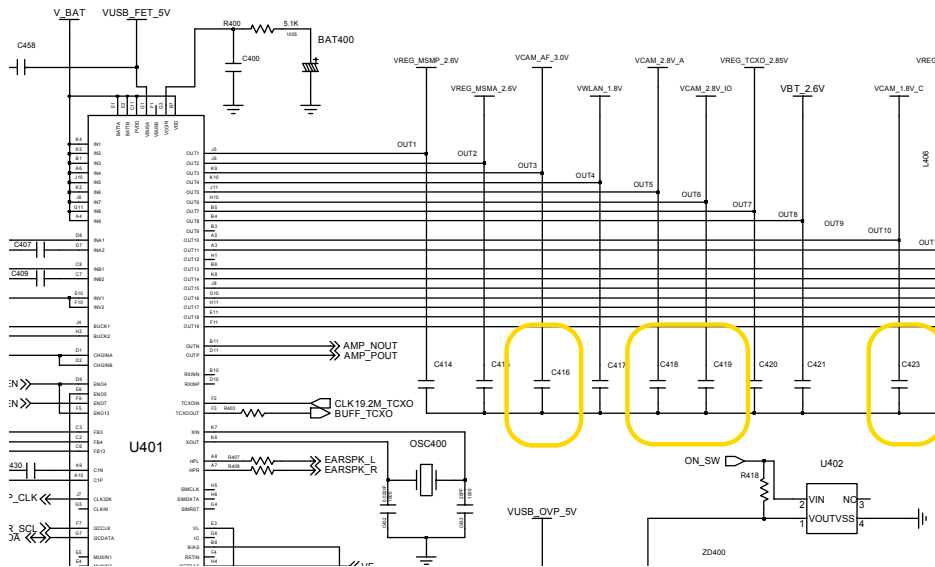
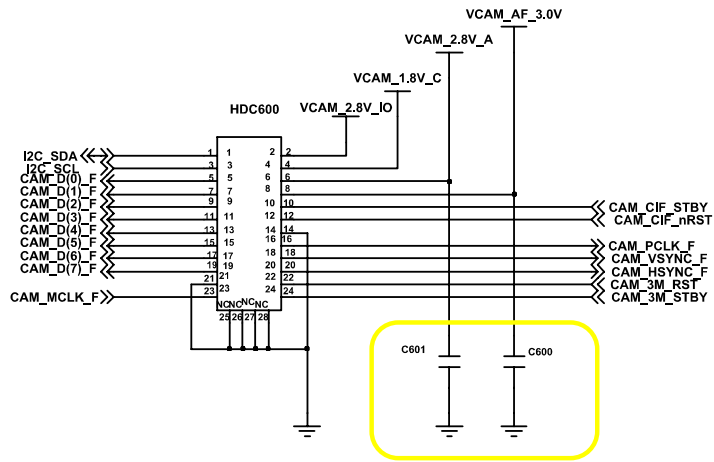


8-3-8. SIM Card Working





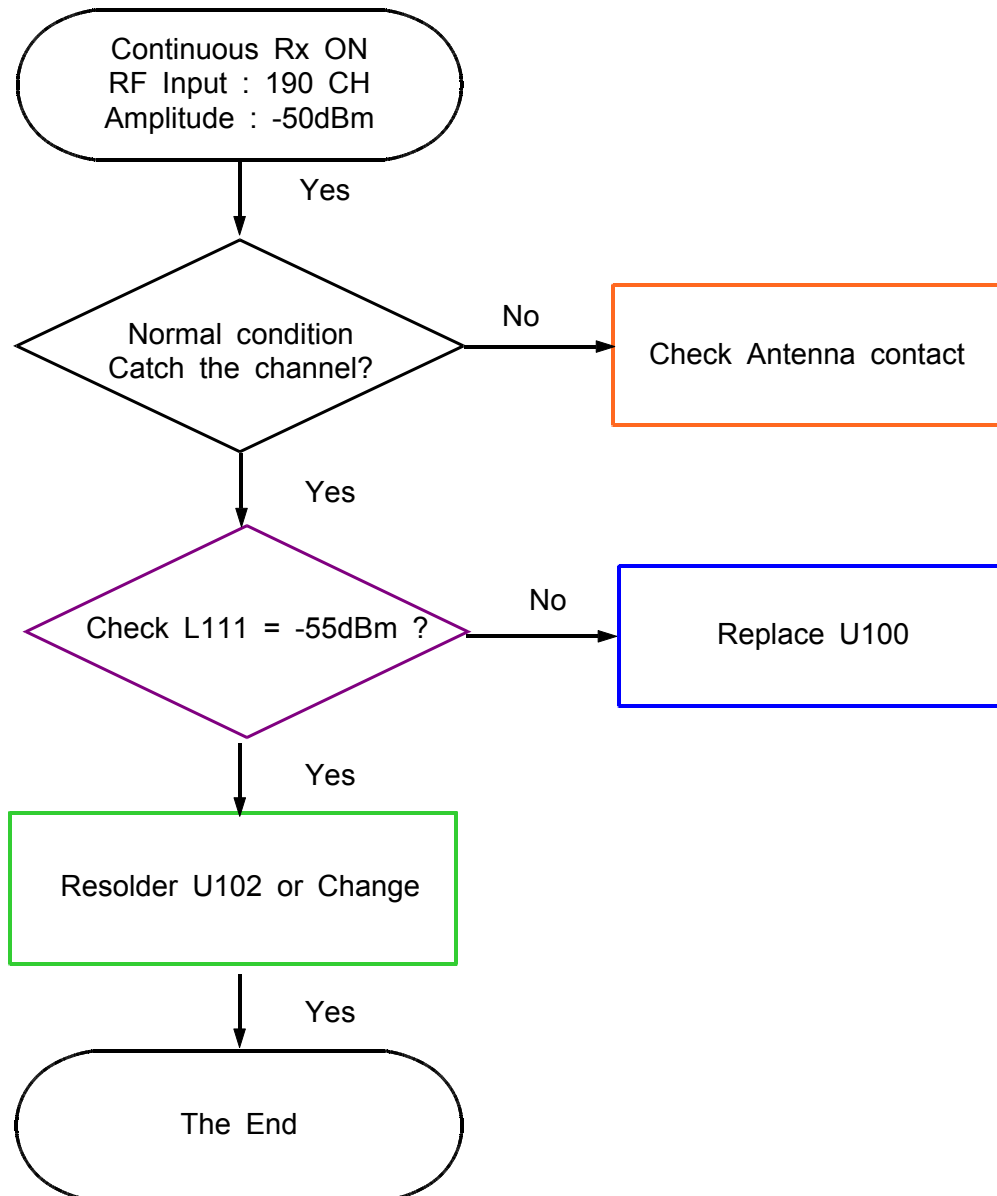
8-3-9 CAMERA Working



8-4-1. GSM850 RX

**If you check the tx chain,

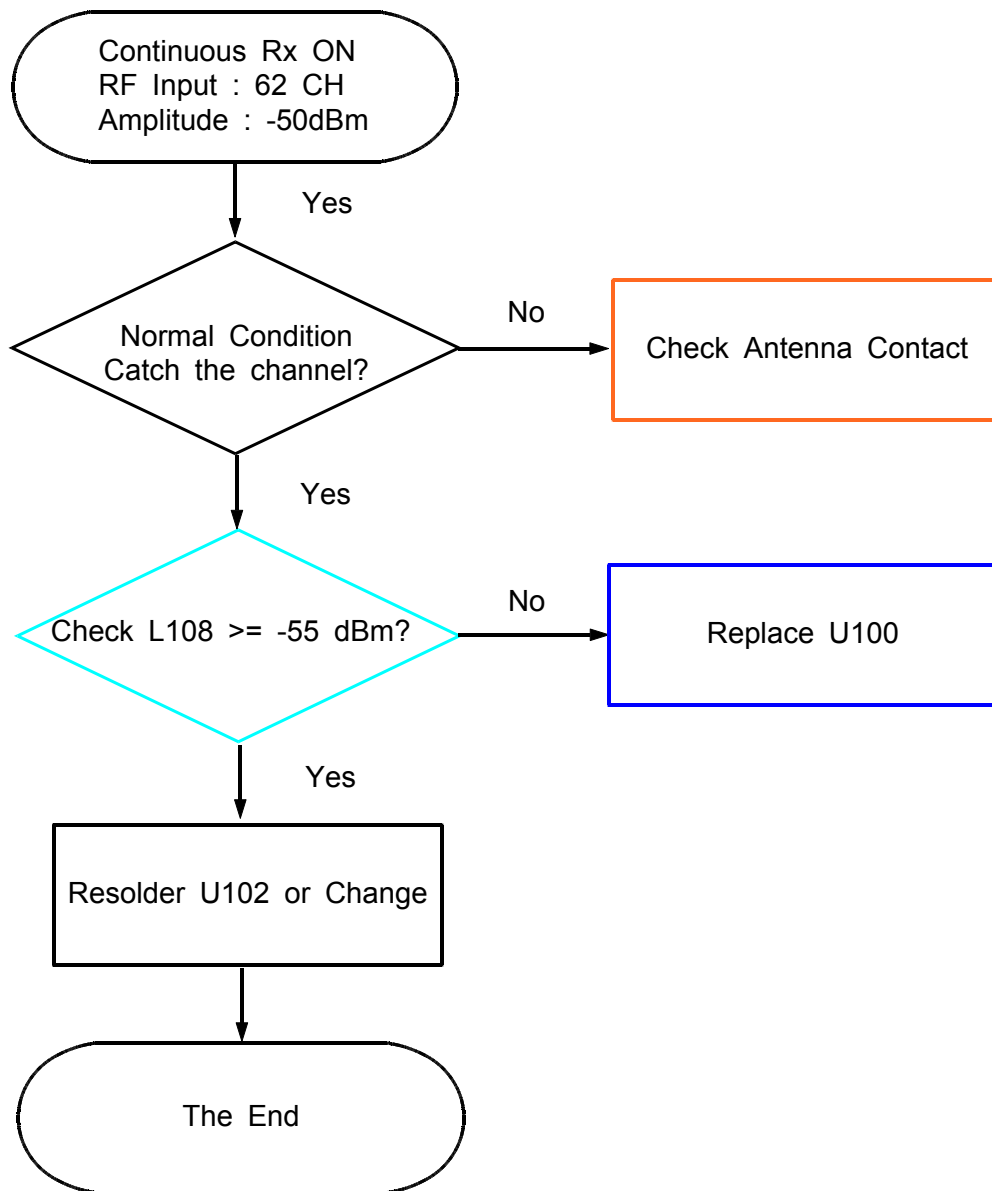
Check the not only RF Device but also resistor, inductor and capacitor.



8-4-2. GSM900 RX

**If you check the tx chain,

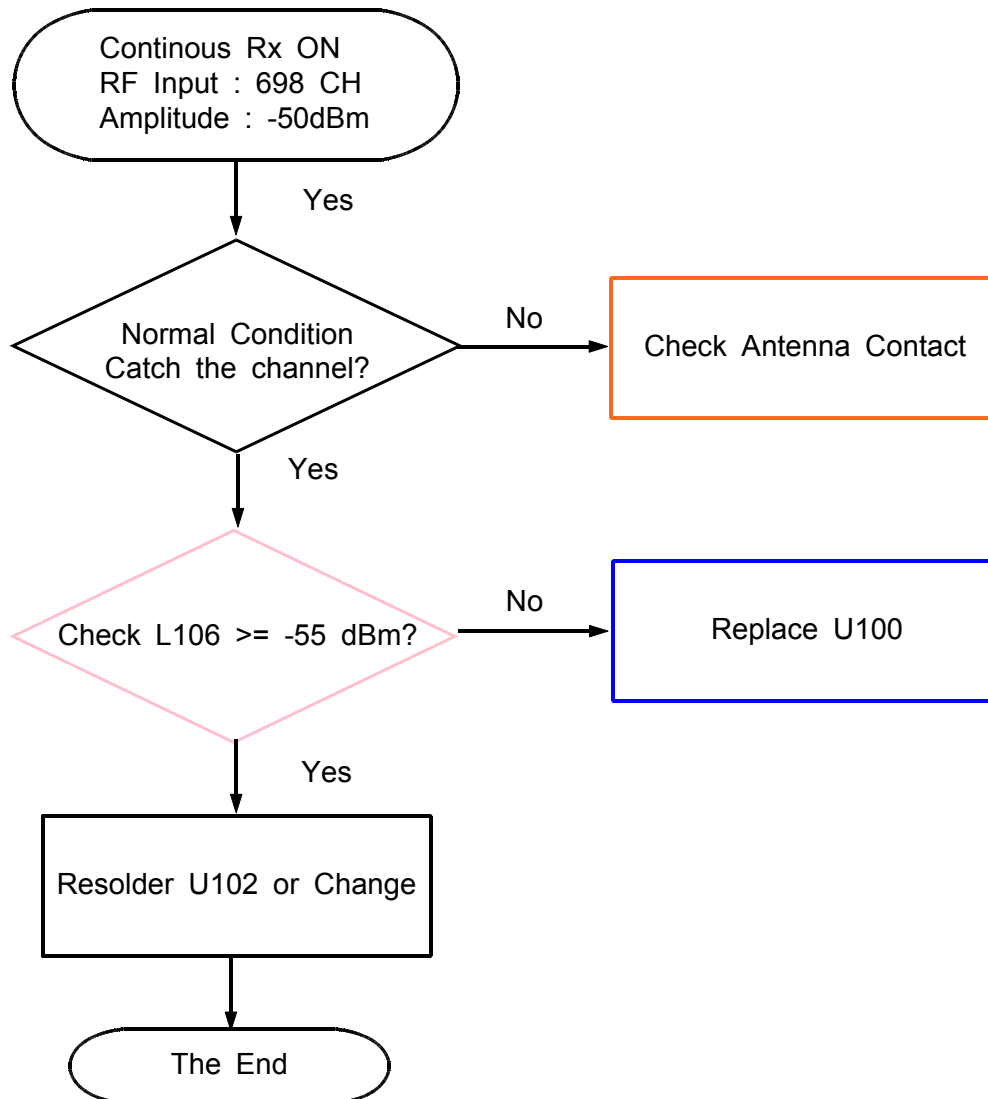
Check the not only RF Device but also resistor, inductor and capacitor.



8-4-3. DCS RX

**If you check the tx chain,

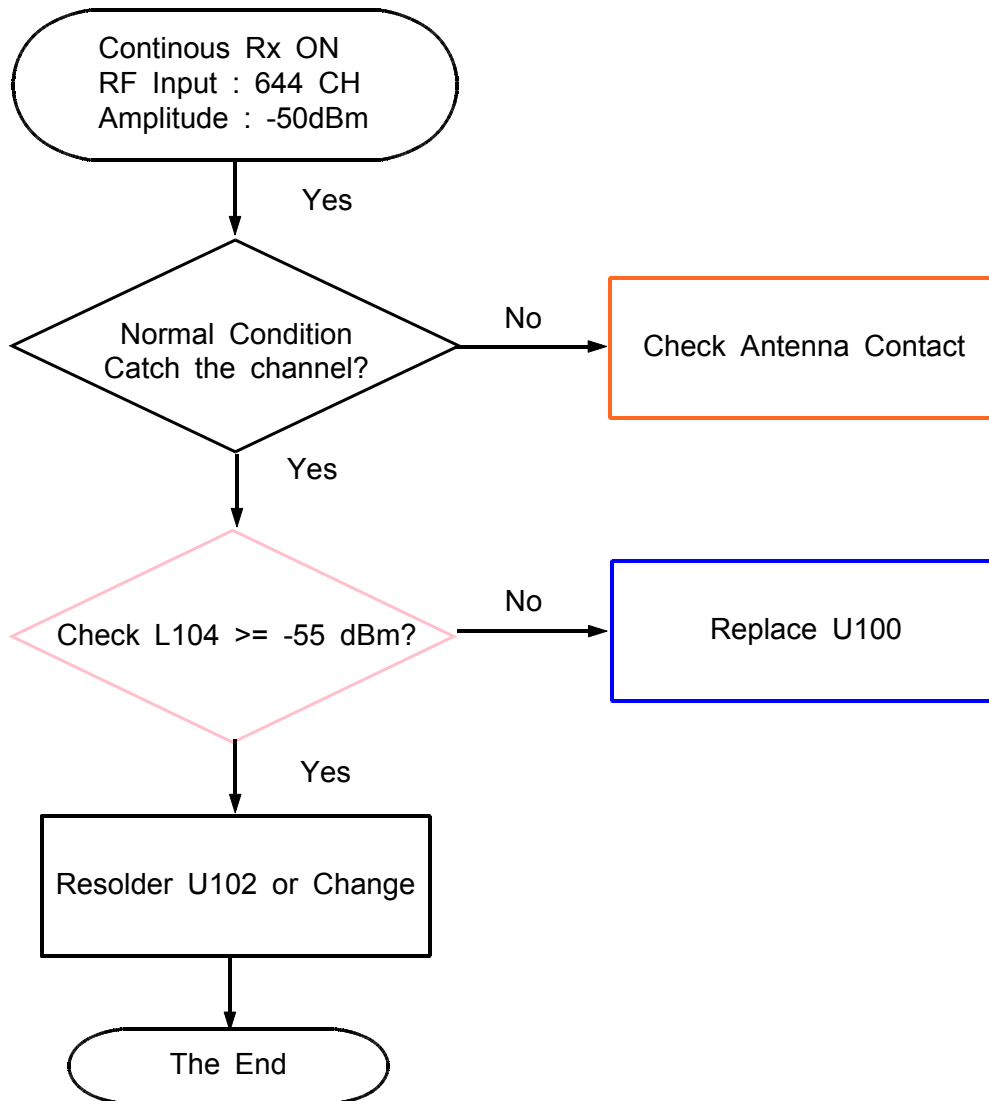
Check the not only RF Device but also resistor, inductor and capacitor.



8-4-4. PCS RX

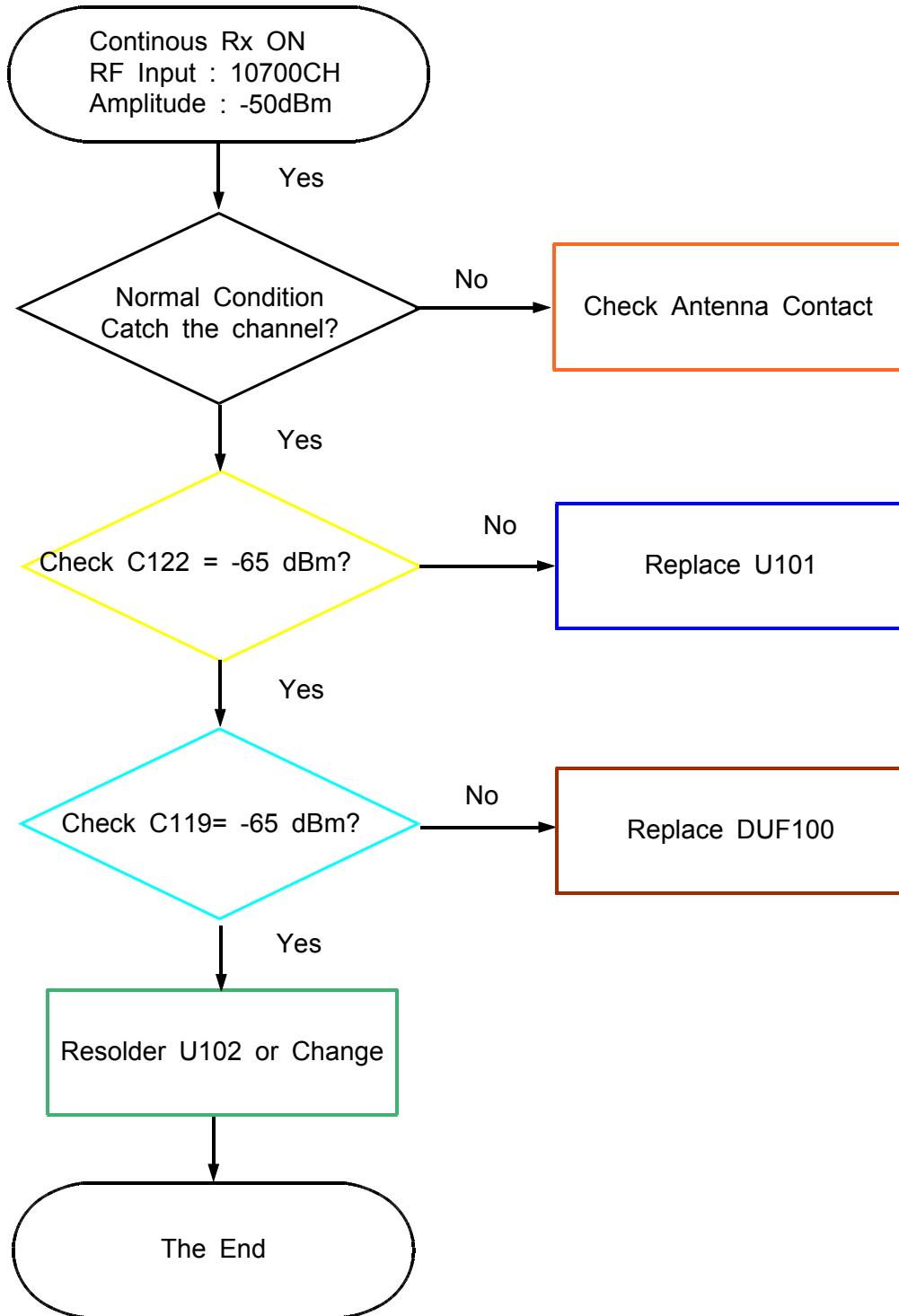
**If you check the tx chain,

Check the not only RF Device but also resistor, inductor and capacitor.



8-4-5. WCDMA Band1 RX

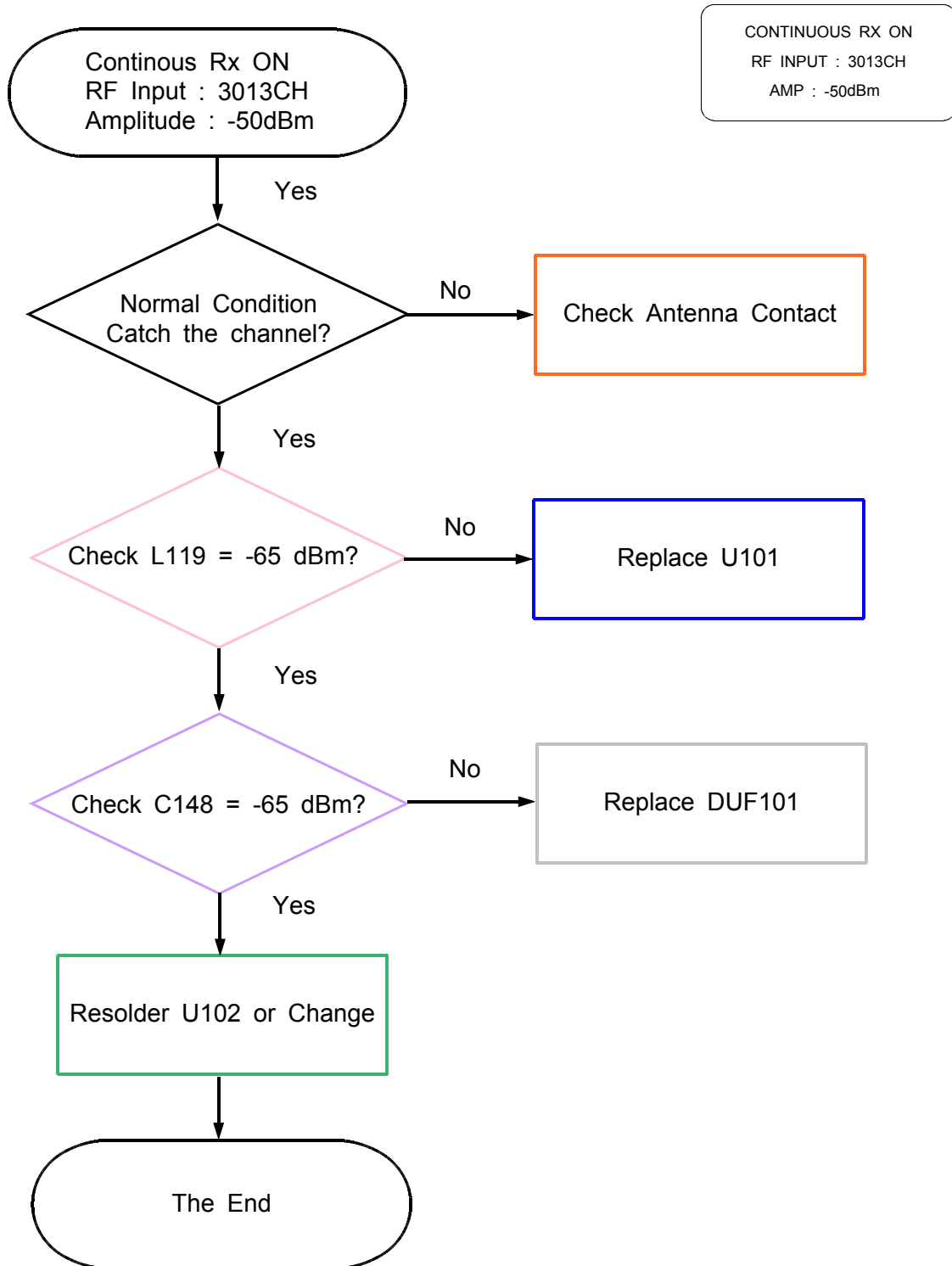
**If you check the tx chain,
Check the not only RF Device but also resistor, inductor and capacitor.



8-4-6. WCDMA Band8 RX

**If you check the tx chain,

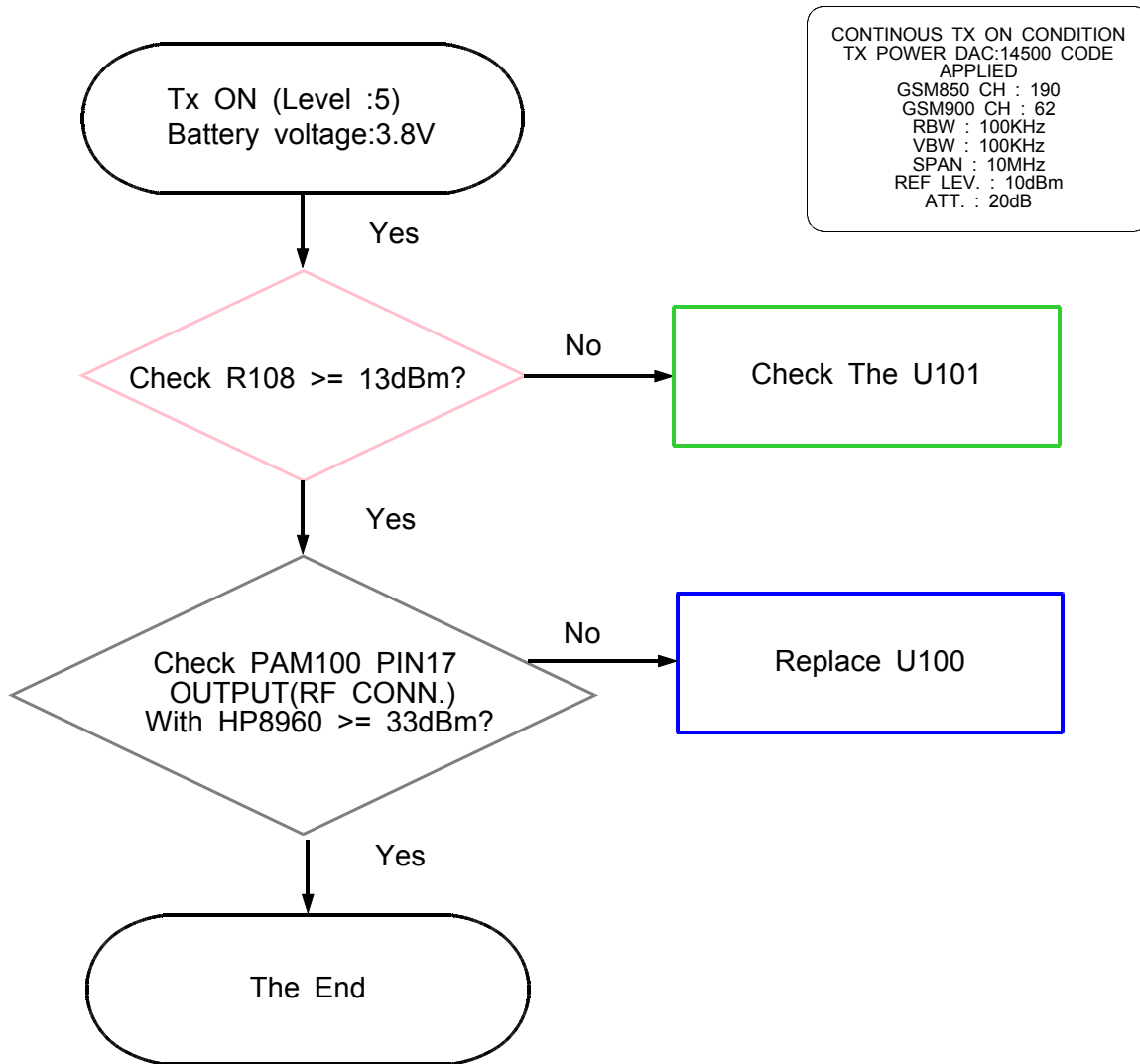
Check the not only RF Device but also resistor, inductor and capacitor.



8-4-7. GSM850/900 TX

**If you check the tx chain,

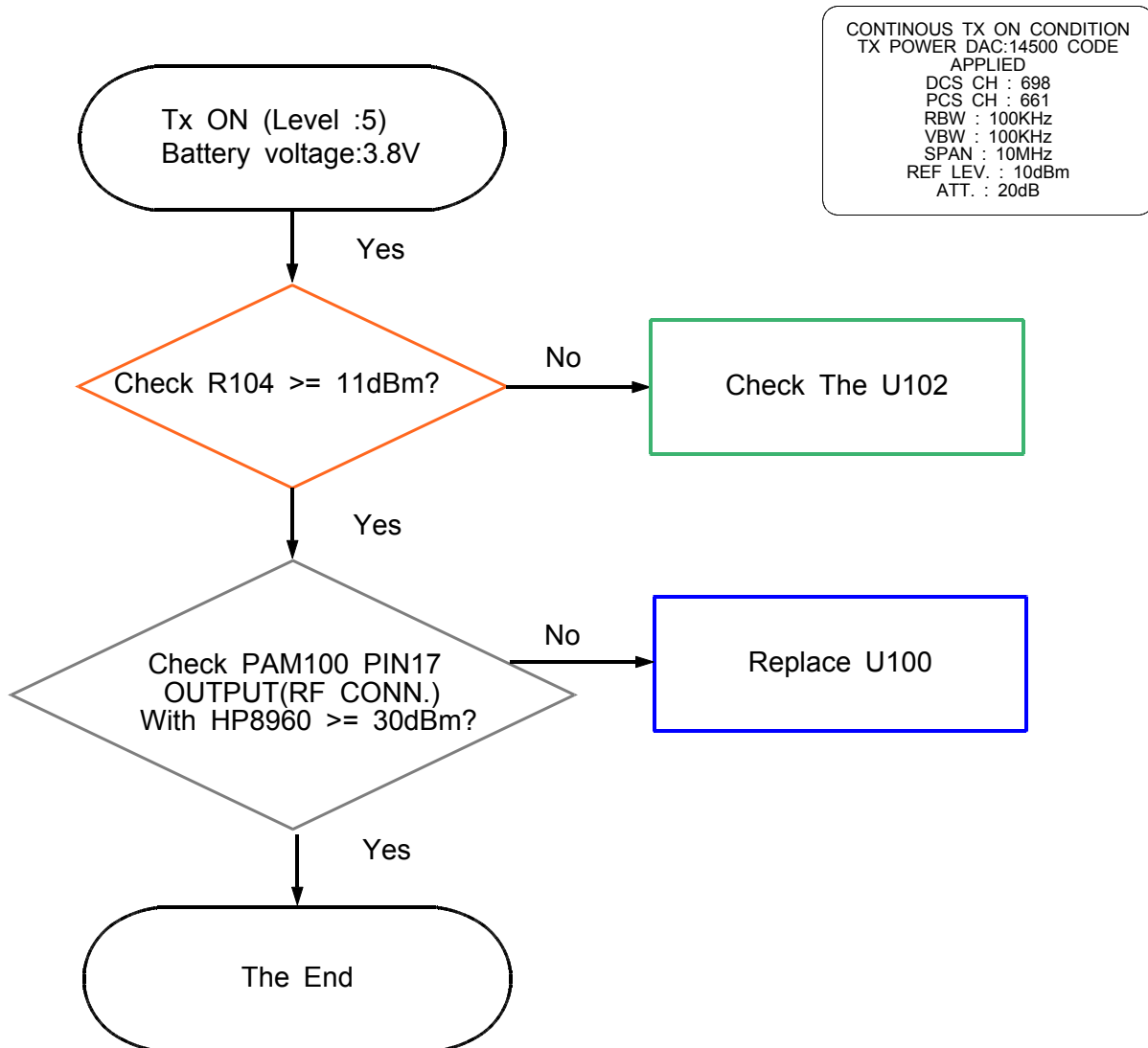
Check the not only RF Device but also resistor, inductor and capacitor.



8-4-8. DCS/PCS TX

**If you check the tx chain,

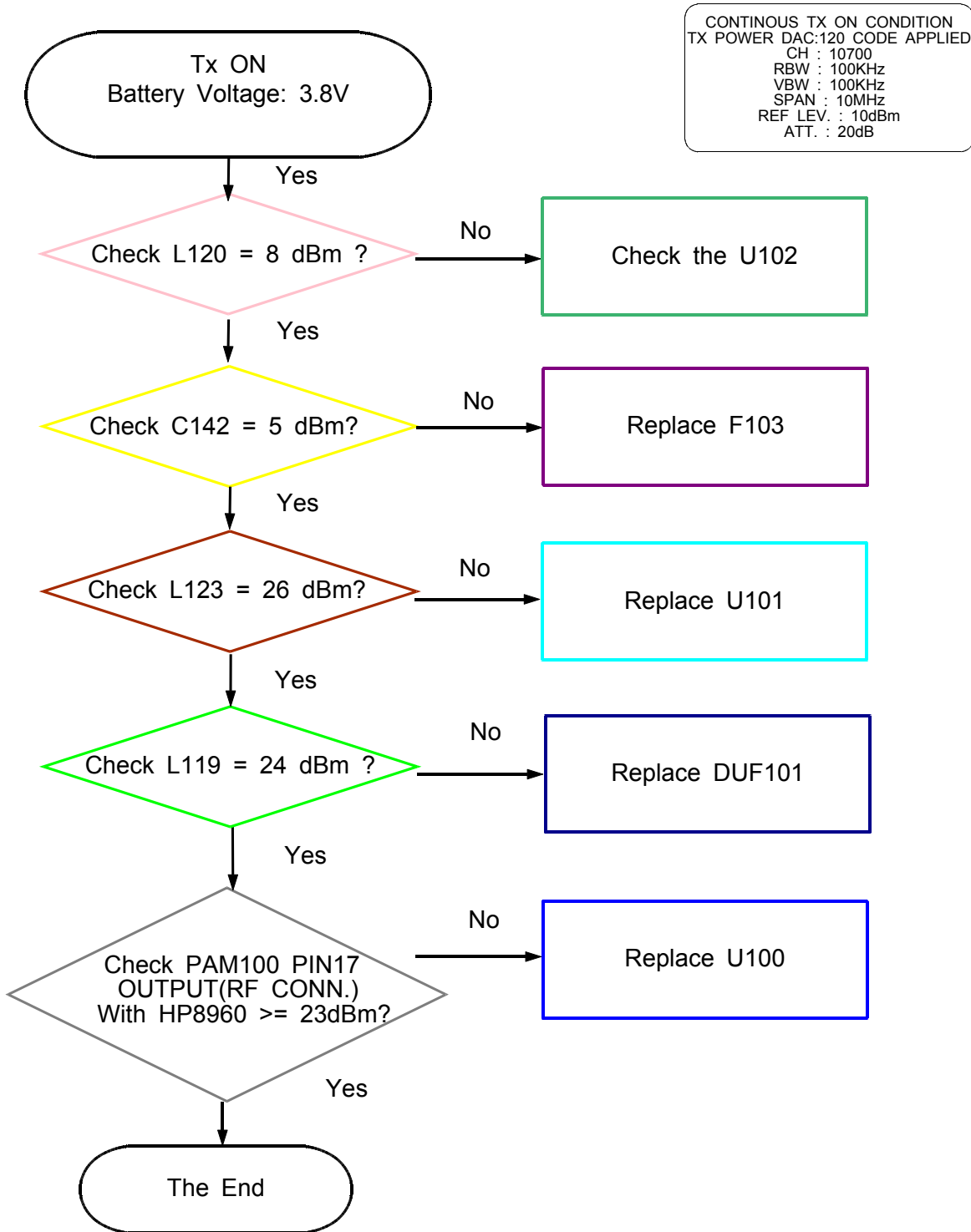
Check the not only RF Device but also resistor, inductor and capacitor.



8-4-9. WCDMA Band1 TX

**If you check the tx chain,

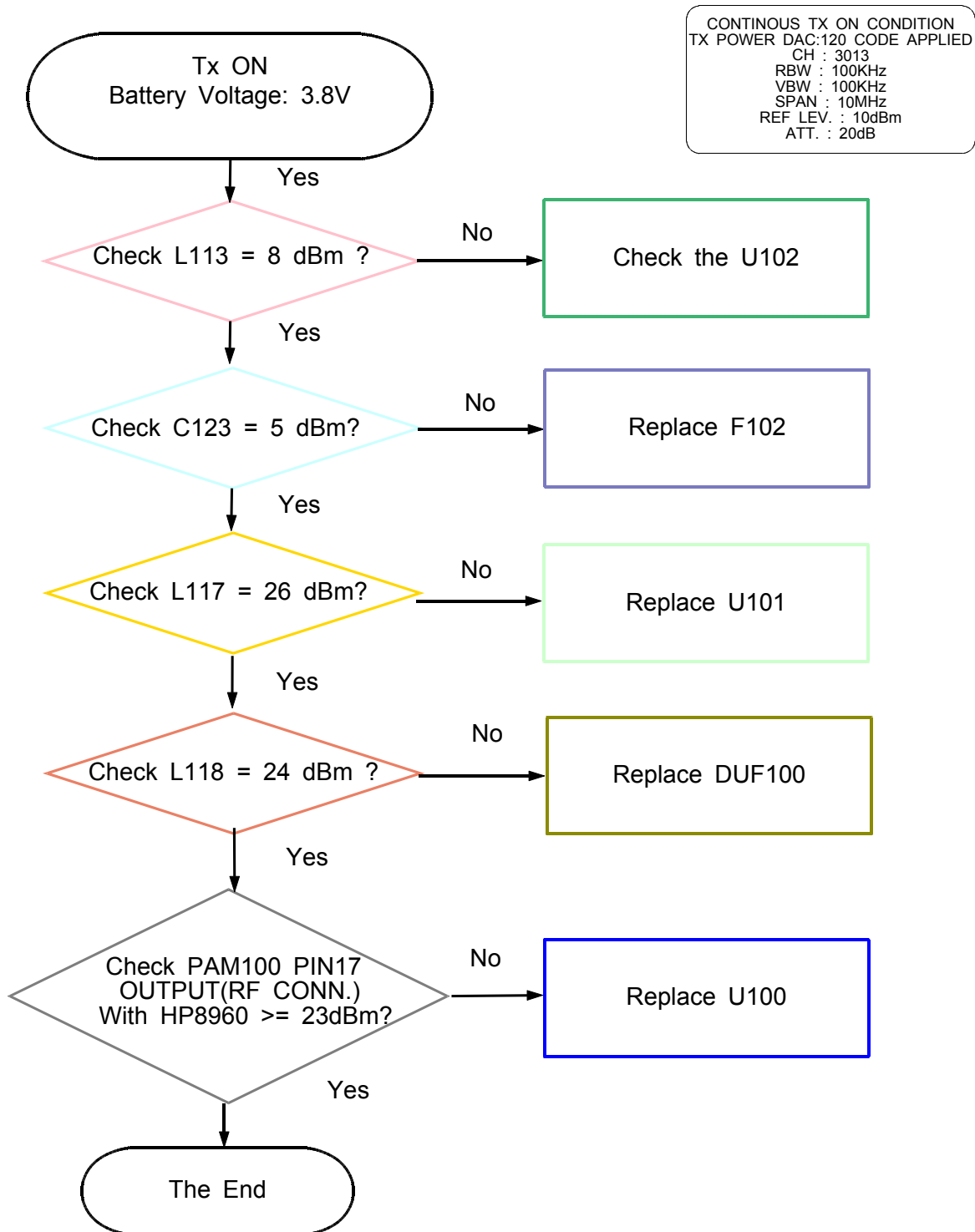
Check the not only RF Device but also resistor, inductor and capacitor.



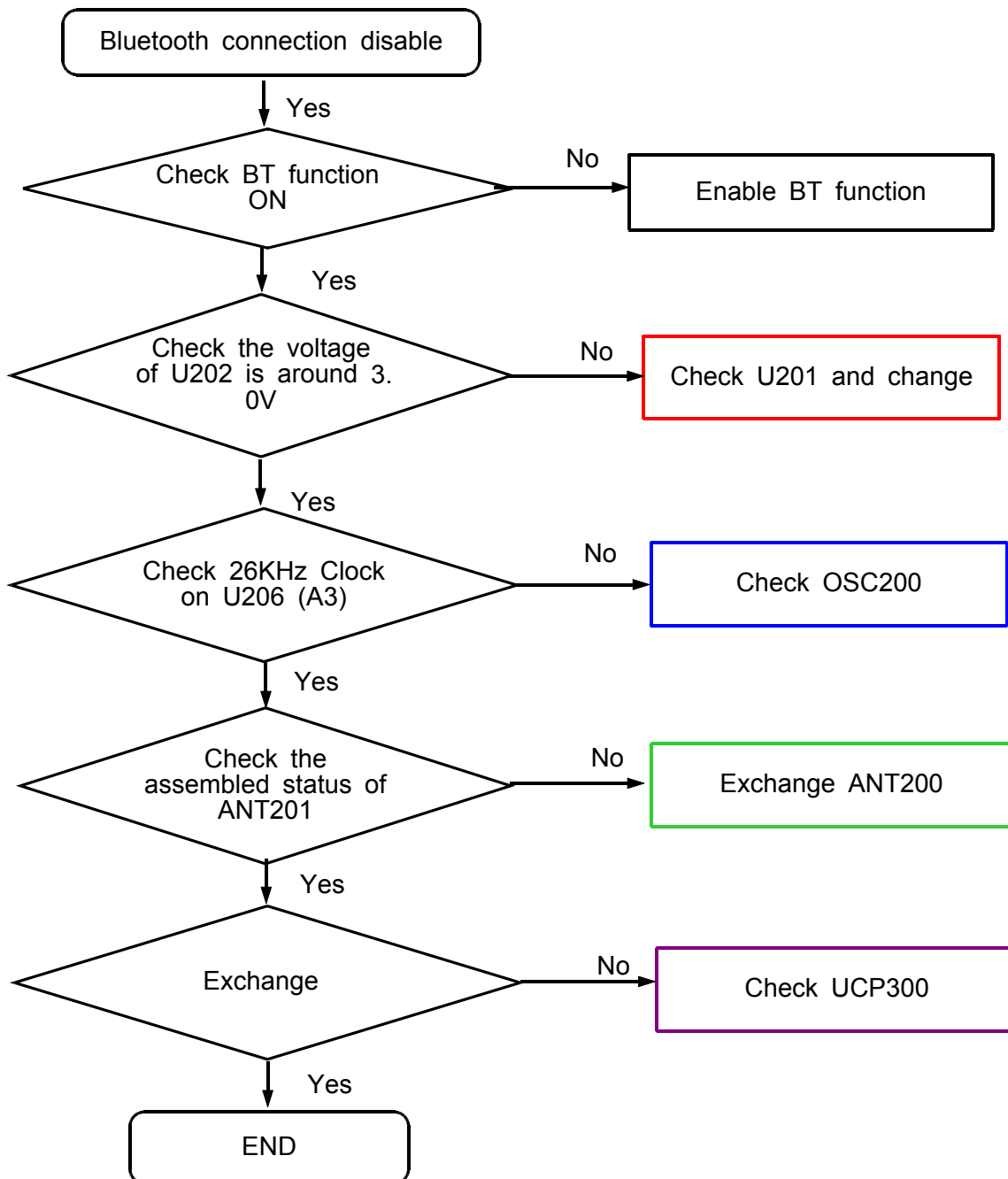
8-4-10. WCDMA Band8 TX

**If you check the tx chain,

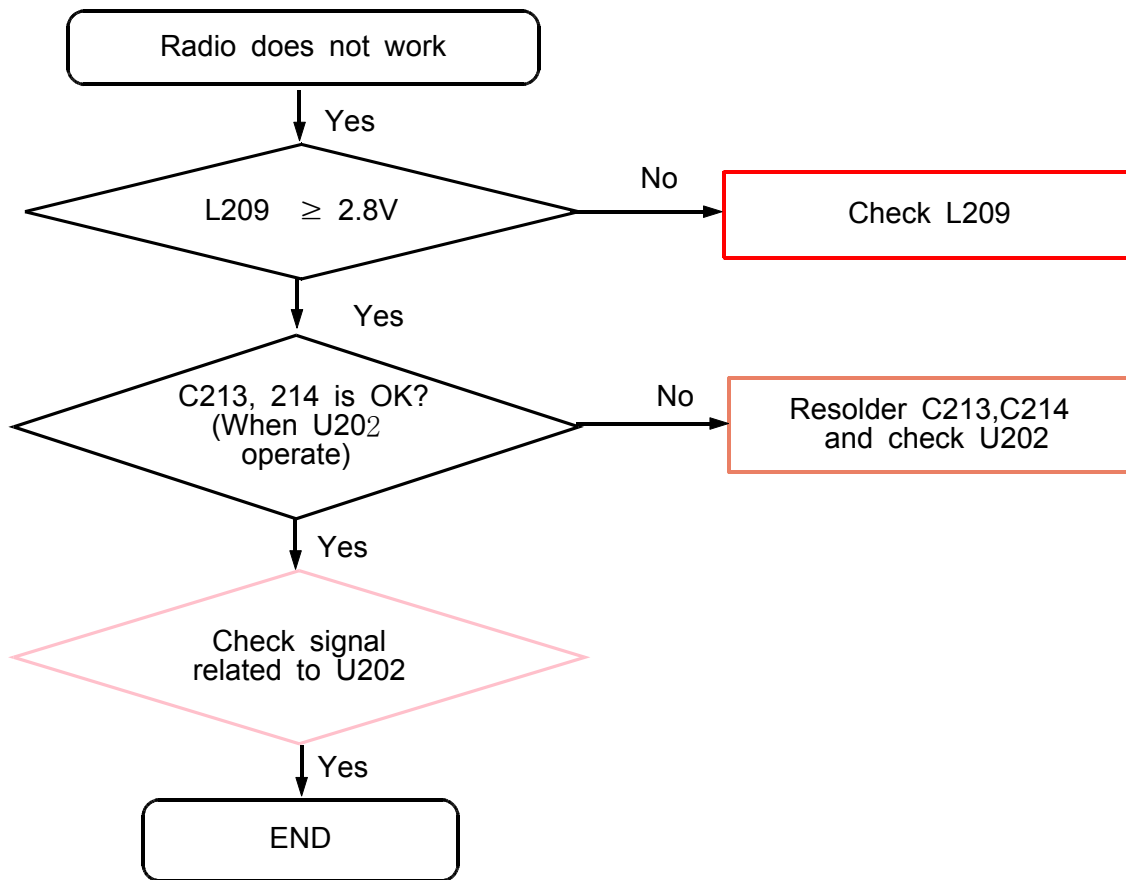
Check the not only RF Device but also resistor, inductor and capacitor.

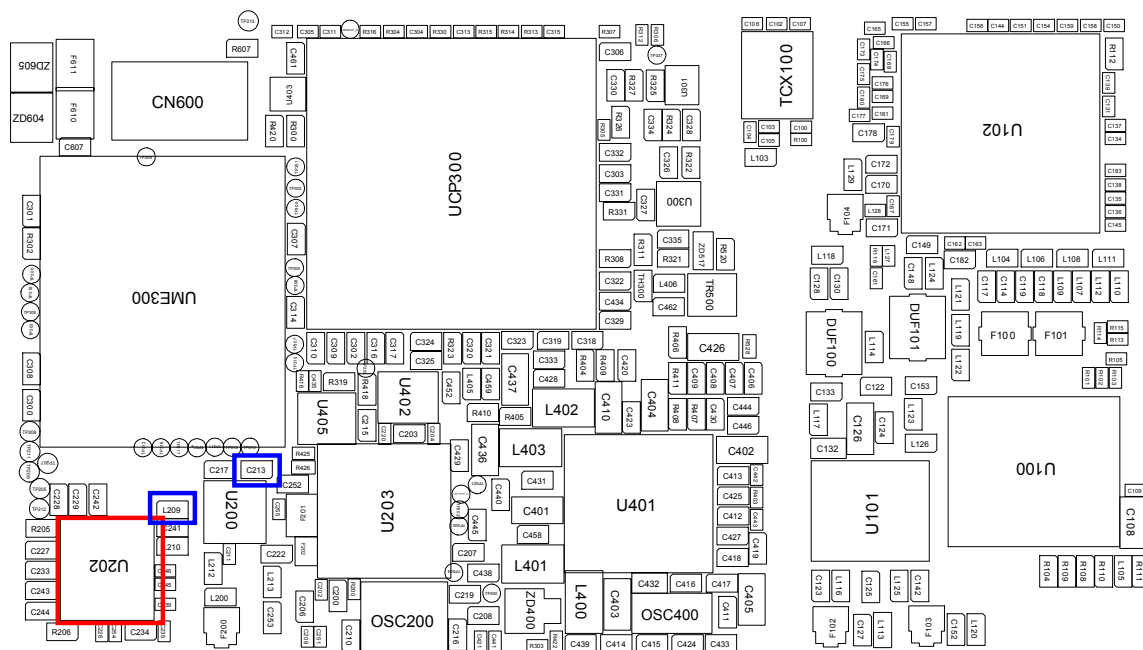
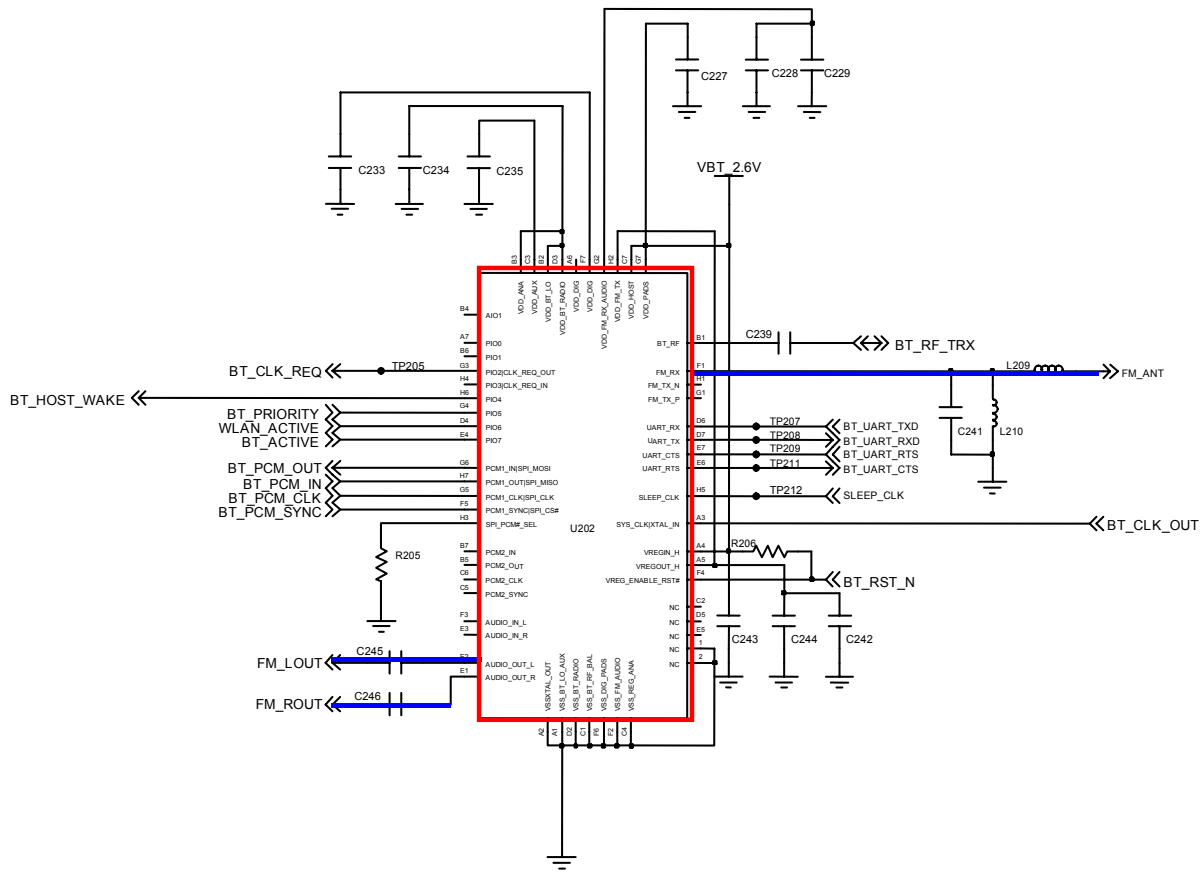


8-4-11. BLUETOOTH

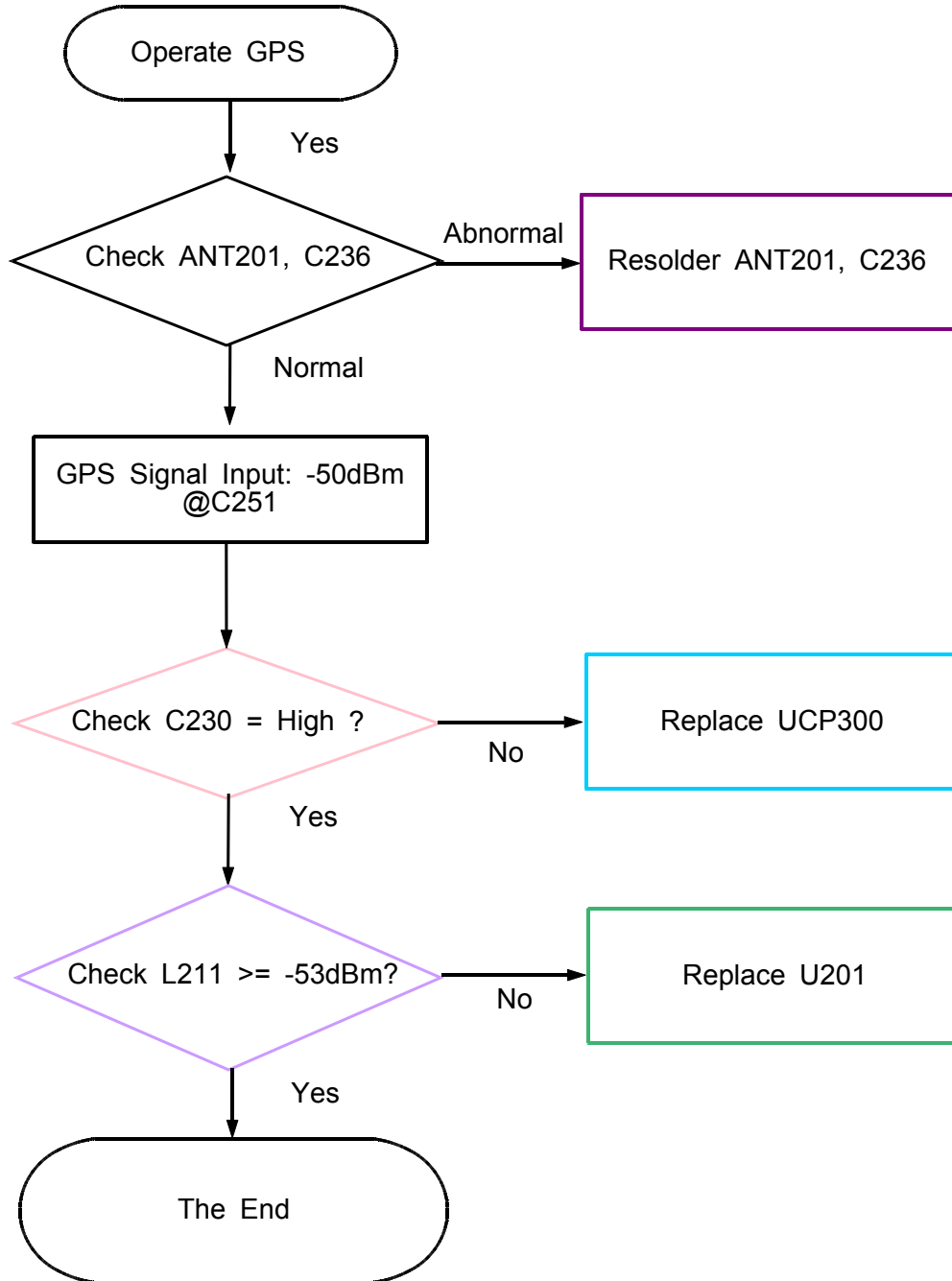


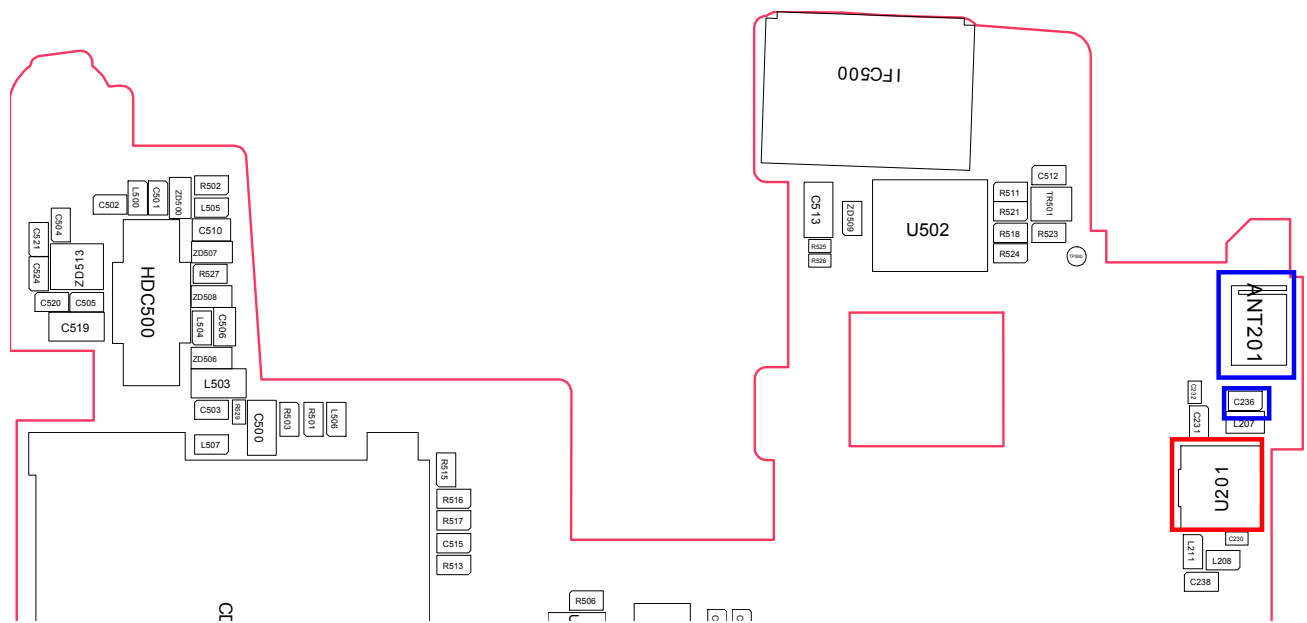
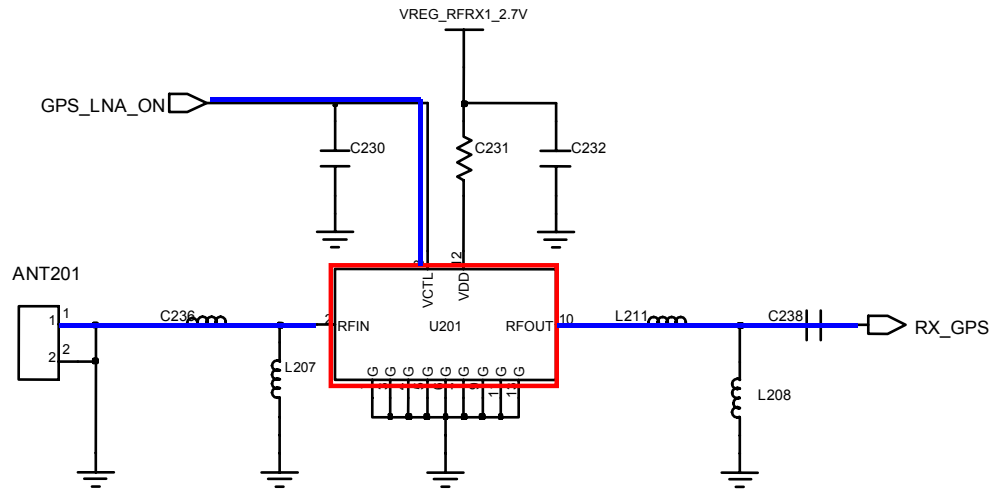
8-4-12. FM RADIO



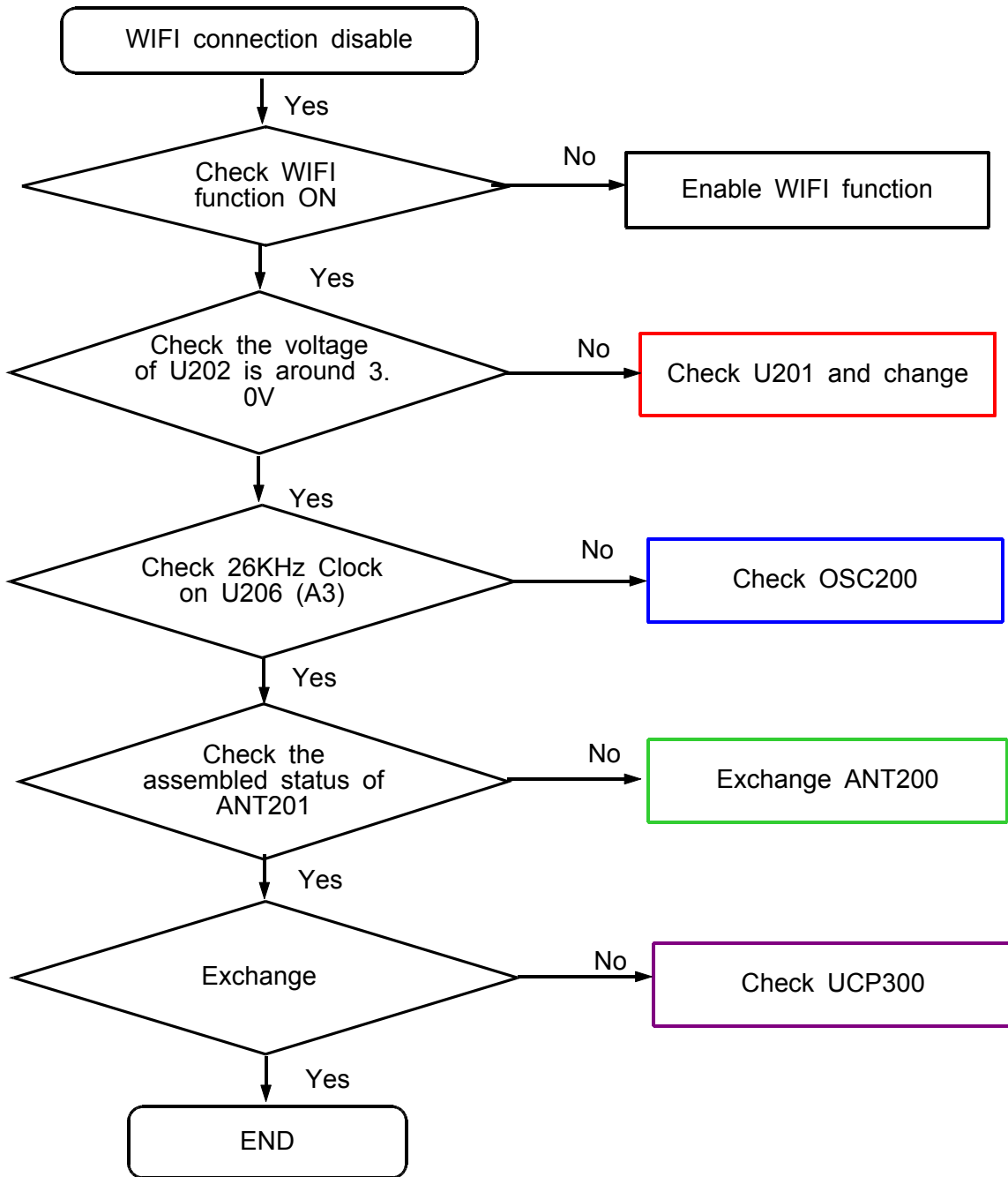


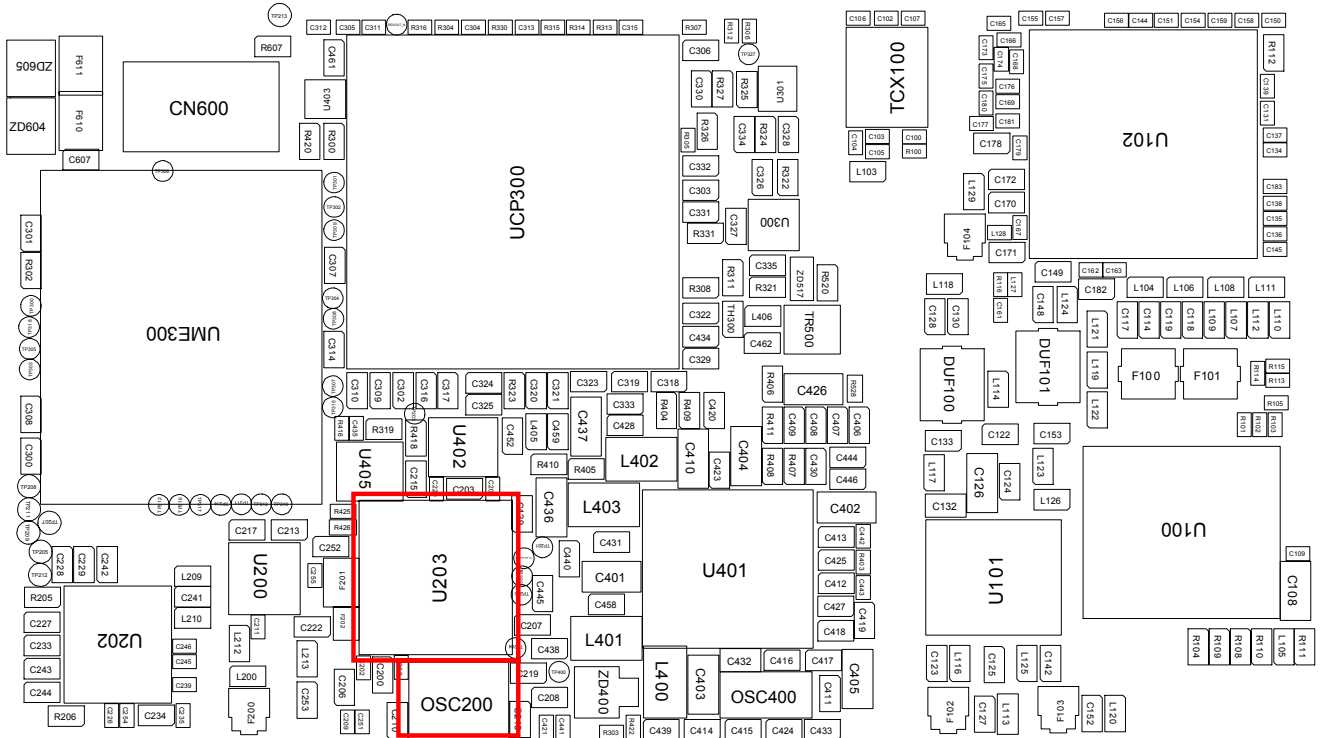
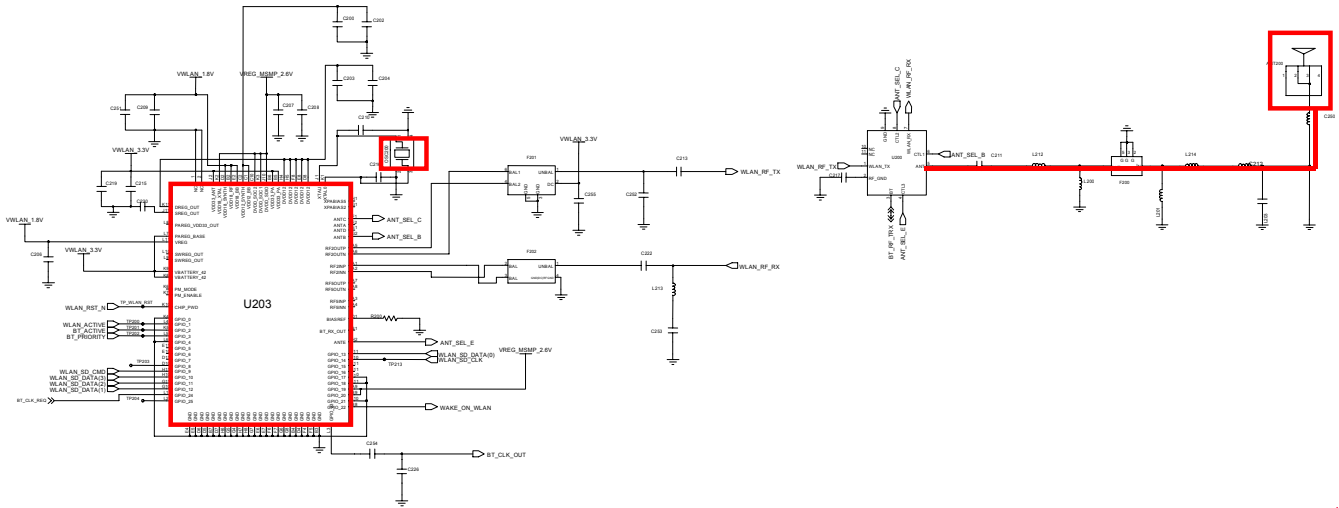
8-4-13. GPS





8-4-13. wifi





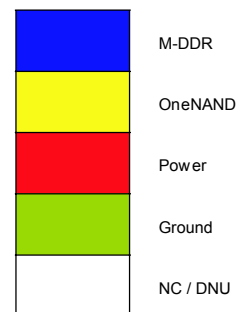
8-5. Service Schematics

- NC Point(Top View)

UME300

	1	2	3	4	5	6	7	8	9	10	11	12	13	14		
A	DNU	DNU	NC	VSSo	VCCo	VSSQd	VDDQd	VDDQd	VSSQd	VSSd	VDDd	VSSQd	DNU	DNU		
B	DNU	VSSo	/OEo	NC	/RPo	/WEo	DQS3d	DQ31d	DQ29d	DQ20d	DQ30d	DQ27d	VDDQd	DNU		
C	VSSd	NC	/WEd	/AVDo	/CEo	RDYo	DQ22d	DQ16d	DQ21d	DQ28d	DQ26d	DQ17d	DQM2d	VDDQd		
D	VDDd	/CSd	BA0d	A1 Index								DQ25d	DQM3d	VSSQd		
E	NC	/RASd	A2d	VCCo		NC	NC	INTo	NC	NC	DQ24d			DQ23d	DQS2d	
F	/CASd	A12d	A0d	CLKo						NC		DQ19d	DQ18d	VSSQd		
G	CKEd	A9d	BA1d	VSSo						NC		VDDd	VDDQd	CKd		
H	VDDd	A11d	A7d	ADQ8o						ADQ15o		VSSd	VDDQd	/CKd		
J	A4d	VSSd	A5d	ADQ9o						ADQ14o		DQS1d	DQM0d	VSSQd		
K	A6d	A10d	A3d	ADQ10o		ADQ11o	VCCQo	VSSo	ADQ12o	ADQ13o	DQ10d		DQM1d	DQ12d		
L	A13d	A8d	A1d											DQ13d	DQ15d	VSSQd
M	VSSd	VDDd	NC	ADQ5o	ADQ2o	ADQ0o	DQ14d	DQ11d	DQ1d	DQ5d	DQ4d	DQ6d	DQ8d	VDDQd		
N	DNU	VCCQo	NC	ADQ6o	ADQ3o	VSSQd	DQ3d	DQ9d	DQ0d	DQ7d	DQ2d	DQS0d	VDDQd	DNU		
P	DNU	DNU	VSSo	ADQ7o	ADQ4o	ADQ1o	VDDQd	VDDQd	VSSQd	VSSd	VDDd	VSSQd	DNU	DNU		

153 FBGA: Top View (Ball Down)



UCP300(● : NC)

	1	2	3	4	5	6	7	8	9	10	11	12	13	14	15	16	17	18	19	20	21	22	23	24	25	26	27	28							
A	●	●	●	●	●	●	●	●	●	●	●	●	●	●	●	●	●	●	●	●	●	●	●	●	●	●	●	A							
B	●	○	○	○	○	○	○	○	○	○	○	○	○	○	○	○	○	○	○	○	○	○	○	○	○	○	○	●	B						
C	●	○	○	○	○	○	○	○	○	○	○	○	○	○	○	○	○	○	○	○	○	○	○	○	○	○	○	○	●	C					
D	●	○	○																							○	○	●	D						
E	●	○	○		○	○	○	○	○	○	○	○	○	○	○	○	○	○	○	○	○	○	○	○		○	○	○	●	E					
F	●	○	○		○	○	○	○	○	○	○	○	○	○	○	○	○	○	○	○	○	○	○		○	○	○	○	●	F					
G	●	○	○		○	○																	○	○		○	○	○	●	G					
H	●	○	○		○	○		○	○	○	○	○	○	○	○	○	○	○	○	○	○	○		○	○		○	○	○	●	H				
J	●	○	○		○	○		○	○	○	○	○	○	○	○	○	○	○	○	○	○		○	○		○	○	○	○	●	J				
K	●	○	○		○	○		○	○											○	○		○	○		○	○	○	○	●	K				
L	●	○	○		○	○		○	○		○	○	○	○	○	○	○		○	○		○	○		○	○	○	○	○	●	L				
M	●	○	○		○	○		○	○		○	○	○	○	○	○	○		○	○		○	○		○	○	○	○	○	●	M				
N	●	○	○		○	○		○	○		○	○	○	○	○	○	○		○	○		○	○		○	○	○	○	○	●	N				
P	●	○	○		○	○		○	○		○	○	○	○	○	○	○		○	○		○	○		○	○	○	○	○	●	P				
R	●	○	○		○	○		○	○		○	○	○	○	○	○	○		○	○		○	○		○	○	○	○	○	●	R				
T	●	○	○		○	○		○	○		○	○	○	○	○	○	○		○	○		○	○		○	○	○	○	○	●	T				
U	●	○	○		○	○		○	○		○	○	○	○	○	○	○		○	○		○	○		○	○	○	○	○	●	U				
V	●	○	○		○	○		○	○											○	○		○	○		○	○	○	○	●	V				
W	●	○	○		○	○		○	○	○	○	○	○	○	○	○	○	○	○	○	○		○	○		○	○	○	○	●	W				
Y	●	○	○		○	○		○	○	○	○	○	○	○	○	○	○	○	○	○	○		○	○		○	○	○	○	●	Y				
AA	●	○	○		○	○																	○	○		○	○	○	○	●	AA				
AB	●	○	○		○	○	○	○	○	○	○	○	○	○	○	○	○	○	○	○	○	○	○	○	○	○	○	○	○	○	●	AB			
AC	●	○	○		○	○	○	○	○	○	○	○	○	○	○	○	○	○	○	○	○	○	○	○		○	○	○	○	○	●	AC			
AD	●	○	○																								○	○	○	○	●	AD			
AE	●	○	○	○	○	○	○	○	○	○	○	○	○	○	○	○	○	○	○	○	○	○	○	○	○	○	○	○	○	○	○	●	AE		
AF	●	○	○	○	○	○	○	○	○	○	○	○	○	○	○	○	○	○	○	○	○	○	○	○	○	○	○	○	○	○	○	○	●	AF	
AG	●	●	●	●	●	●	●	●	●	●	●	●	●	●	●	●	●	●	●	●	●	●	●	●	●	●	●	●	●	●	●	●	●	●	AG
	1	2	3	4	5	6	7	8	9	10	11	12	13	14	15	16	17	18	19	20	21	22	23	24	25	26	27								

5. MAIN Electrical Parts List

5-1. Main

SEC CODE	DESIGN LOC	DESCRIPTION
4202-001463	ANT200	ODBTP3015
2409-001172	BAT400	SM3R3703-R01
3711-006910	BTC400	KQ03SL-3R
2203-006194	C100	GRP033R70J103K
2203-001385	C101	GRP1555C1H1R5C
2203-005806	C102	GRP033R71C102K
2203-006556	C103	GRM0335C1E470J
2203-005806	C104	GRP033R71C102K
2203-006423	C105	GRM33X5R104K6.
2203-006979	C106	CL03B103KP3NNN
2203-005806	C107	GRP033R71C102K
2203-007270	C108	CL10A106KP8NNN
2203-006611	C109	GRM0335C1E2R7C
2203-005053	C114	GRP1555C1H3R9C
2203-005053	C117	GRP1555C1H3R9C
2203-005053	C118	GRP1555C1H3R9C
2203-005053	C119	GRP1555C1H3R9C
2703-002208	C122	CIH05T2N2SNC
2703-002176	C123	CIH05T2N7SNC
2203-000438	C124	GRP155R71H102K
2203-002443	C125	GRP155R71H331K
2203-007270	C126	CL10A106KP8NNN
2203-005281	C127	GRP1555C1H1R5B
2203-005053	C128	GRP1555C1H3R9C
2203-005053	C130	GRP1555C1H3R9C
2203-005732	C131	GRP0335C1E680J
2203-005446	C132	GRP1555C1H2R7B
2203-005736	C134	GRP0335C1E101J
2203-005725	C135	GRP0335C1E220J
2203-006423	C136	GRM33X5R104K6.
2203-006423	C137	GRM33X5R104K6.
2203-005736	C138	GRP0335C1E101J
2203-005732	C139	GRP0335C1E680J
2203-000812	C142	GRP1555C1H330J
2203-005736	C144	GRP0335C1E101J
2203-005682	C145	GRP0335C1E330J

SEC CODE	DESIGN LOC	DESCRIPTION
2703-002365	C148	CIH05T1N2SNC
2203-000812	C149	GRP1555C1H330J
2203-006423	C150	GRM33X5R104K6.
2203-005725	C151	GRP0335C1E220J
2203-005281	C152	GRP1555C1H1R5B
2203-006194	C154	GRP033R70J103K
2203-006423	C155	GRM33X5R104K6.
2203-005806	C156	GRP033R71C102K
2203-005736	C157	GRP0335C1E101J
2203-005725	C158	GRP0335C1E220J
2203-005725	C159	GRP0335C1E220J
2203-005736	C161	GRP0335C1E101J
2203-005736	C162	GRP0335C1E101J
2203-006423	C163	GRM33X5R104K6.
2007-009766	C165	RC0603J5R1CS
2203-005736	C166	GRP0335C1E101J
2203-005725	C167	GRP0335C1E220J
2203-006423	C168	GRM33X5R104K6.
2203-006194	C169	GRP033R70J103K
2203-005281	C170	GRP1555C1H1R5B
2203-000812	C171	GRP1555C1H330J
2203-005281	C172	GRP1555C1H1R5B
2203-006423	C173	GRM33X5R104K6.
2203-005725	C174	GRP0335C1E220J
2203-005736	C175	GRP0335C1E101J
2203-006423	C176	GRM33X5R104K6.
2007-009766	C177	RC0603J5R1CS
2203-007317	C178	CV05X5R475M06A
2203-005736	C179	GRP0335C1E101J
2203-006423	C180	GRM33X5R104K6.
2203-005736	C181	GRP0335C1E101J
2203-007317	C182	CV05X5R475M06A
2203-005682	C183	GRP0335C1E330J
2203-006872	C200	GRM155R60J225M
2203-006839	C202	CL03A104KP3NNN
2203-006872	C203	GRM155R60J225M
2203-006839	C204	CL03A104KP3NNN

SEC CODE	DESIGN LOC	DESCRIPTION
2203-006872	C206	GRM155R60J225M
2203-006048	C207	GRM155R71A104K
2203-006048	C208	GRM155R71A104K
2203-006423	C209	GRM33X5R104K6.
2203-005393	C210	GRP1555C1H5R0B
2203-006305	C211	CM03CG100J25AH
2703-002365	C212	CIH05T1N2SNC
2203-000330	C213	GRP1555C1H120J
2203-007271	C215	CL05A225KP5NSN
2203-005393	C216	GRP1555C1H5R0B
2203-000696	C217	GRP1555C1H2R0C
2203-006681	C219	GRM155F51E104Z
2203-006121	C220	GRM33X7R471K16
2203-000278	C222	GRP1555C1H100D
2203-006048	C227	GRM155R71A104K
2203-000254	C228	GRP155R71C103K
2203-006872	C229	GRM155R60J225M
2203-005719	C230	GRP0335C1E390J
2007-001313	C231	MCR01MZP5J331
2203-005682	C232	GRP0335C1E330J
2203-006872	C233	GRM155R60J225M
2203-006872	C234	GRM155R60J225M
2203-007391	C235	CL03A474KQ3NNN
2703-002369	C236	CIH05T1N5SNC
2203-000278	C238	GRP1555C1H100D
2203-005736	C239	GRP0335C1E101J
2203-000679	C241	GRP1555C1H270J
2203-006048	C242	GRM155R71A104K
2203-006872	C243	GRM155R60J225M
2203-006872	C244	GRM155R60J225M
2203-007210	C245	CV03X5R224K06A
2203-007210	C246	CV03X5R224K06A
2703-001749	C250	LL1005-FH1N0S
2203-005806	C251	GRP033R71C102K
2203-001383	C252	GRP1555C1HR50C
2203-005395	C253	C1005CG1H4R7BT
2203-005725	C254	GRP0335C1E220J

SEC CODE	DESIGN LOC	DESCRIPTION
2203-007210	C255	CV03X5R224K06A
2203-006048	C300	GRM155R71A104K
2203-006048	C301	GRM155R71A104K
2203-006399	C302	GRM155R60J105K
2203-006048	C303	GRM155R71A104K
2203-006423	C304	GRM33X5R104K6.
2203-006423	C305	GRM33X5R104K6.
2203-006048	C306	GRM155R71A104K
2203-006399	C307	GRM155R60J105K
2203-006048	C308	GRM155R71A104K
2203-007385	C309	CL05A106MR5NRN
2203-007385	C310	CL05A106MR5NRN
2203-006423	C311	GRM33X5R104K6.
2203-006423	C312	GRM33X5R104K6.
2203-006423	C313	GRM33X5R104K6.
2203-006048	C314	GRM155R71A104K
2203-007449	C315	CV03X5R105M06A
2203-006048	C316	GRM155R71A104K
2203-006048	C317	GRM155R71A104K
2203-006399	C318	GRM155R60J105K
2203-006399	C319	GRM155R60J105K
2203-006048	C320	GRM155R71A104K
2203-006048	C321	GRM155R71A104K
2203-006048	C322	GRM155R71A104K
2203-006048	C323	GRM155R71A104K
2203-000696	C324	GRP1555C1H2R0C
2203-006047	C326	C1005X7R1C333K
2203-006048	C328	GRM155R71A104K
2203-006048	C329	GRM155R71A104K
2203-000995	C330	GRP1555C1H470J
2203-006048	C331	GRM155R71A104K
2203-000489	C332	GRP155R71H222K
2203-005057	C333	GRP1555C1H8R2C
2203-000233	C334	GRP1555C1H101J
2203-006190	C400	GRM155R60J224K
2203-006824	C401	CV105X5R475K10
2203-006824	C402	CV105X5R475K10

SEC CODE	DESIGN LOC	DESCRIPTION
2203-006824	C403	CV105X5R475K10
2203-006824	C404	CV105X5R475K10
2203-006824	C405	CV105X5R475K10
2203-001405	C406	04023G223ZAT2A
2203-001405	C407	04023G223ZAT2A
2203-006399	C408	GRM155R60J105K
2203-006399	C409	GRM155R60J105K
2203-007270	C410	CL10A106KP8NNN
2203-006399	C411	GRM155R60J105K
2203-006399	C412	GRM155R60J105K
2203-006562	C413	CV05X5R105K10A
2203-006872	C414	GRM155R60J225M
2203-006872	C415	GRM155R60J225M
2203-006399	C416	GRM155R60J105K
2203-006872	C417	GRM155R60J225M
2203-006872	C418	GRM155R60J225M
2203-006872	C419	GRM155R60J225M
2203-006399	C420	GRM155R60J105K
2203-007449	C421	CV03X5R105M06A
2203-006399	C423	GRM155R60J105K
2203-006872	C424	GRM155R60J225M
2203-006562	C425	CV05X5R105K10A
2203-007270	C426	CL10A106KP8NNN
2203-006562	C427	CV05X5R105K10A
2203-000585	C428	GRP155R71H221K
2203-001239	C429	GRP155C1H820J
2203-006399	C430	GRM155R60J105K
2203-006562	C431	CV05X5R105K10A
2203-000627	C432	GRM155C1H220J
2203-000550	C433	GRP155C1H200J
2203-000233	C434	GRP155C1H101J
2203-007449	C435	CV03X5R105M06A
2203-006208	C436	CM105X5R475M06
2203-006208	C437	CM105X5R475M06
2203-007317	C438	CV05X5R475M06A
2203-007317	C439	CV05X5R475M06A
2203-006048	C440	GRM155R71A104K

SEC CODE	DESIGN LOC	DESCRIPTION
2203-006839	C441	CL03A104KP3NNN
2203-006423	C442	GRM33X5R104K6.
2203-006423	C443	GRM33X5R104K6.
2203-006399	C444	GRM155R60J105K
2203-006399	C445	GRM155R60J105K
2203-006399	C446	GRM155R60J105K
2203-007270	C451	CL10A106KP8NNN
2203-000386	C452	GRP1555C1H150J
2203-000812	C454	GRP1555C1H330J
2203-006562	C458	CV05X5R105K10A
2203-001153	C459	GRP1555C1H680J
2203-000812	C460	GRP1555C1H330J
2203-006190	C461	GRM155R60J224K
2203-000233	C462	GRP1555C1H101J
2203-007270	C500	CL10A106KP8NNN
2203-003054	C501	GRP1555C1H9R0C
2203-003054	C502	GRP1555C1H9R0C
2203-000438	C503	GRP155R71H102K
2203-000812	C504	GRP1555C1H330J
2203-000812	C505	GRP1555C1H330J
2203-002443	C506	GRP155R71H331K
2203-002443	C510	GRP155R71H331K
2203-007271	C512	CL05A225KP5NSN
2203-007425	C513	CL10A225KA5LNN
2203-006048	C515	GRM155R71A104K
2203-006324	C519	GRM188R61A225K
2203-000233	C520	GRP1555C1H101J
2203-000233	C521	GRP1555C1H101J
2203-006824	C522	CV105X5R475K10
2203-006048	C523	GRM155R71A104K
2203-000233	C524	GRP1555C1H101J
2203-007317	C600	CV05X5R475M06A
2203-006872	C601	GRM155R60J225M
2203-006872	C602	GRM155R60J225M
2203-006872	C603	GRM155R60J225M
2203-006872	C607	GRM155R60J225M
2203-006978	C618	GMK107BJ105KA-

SEC CODE	DESIGN LOC	DESCRIPTION
2203-007279	C619	CV105X5R106M10
3709-001392	CD500	SCHA2B0200
3711-006919	CN600	AXT620124AW1
0404-001172	D402	RB520S-30
2910-000092	DUF100	B7953
2910-000081	DUF101	B7697
2904-001881	F100	SFRG42PY002
2904-001882	F101	SFRM81PY002
2904-001850	F102	SAFEB897MAM0F0
2904-001847	F103	SAFEB1G95KA0F0
2904-001756	F104	SAFEB2G14FA0F0
2904-001944	F200	SAFEA2G45AC0F0
4709-001906	F201	LTU-1608-2G4H6
4709-001905	F202	LTU-1005-2G4S1
2901-001525	F600	ICVE10184E150R
2901-001525	F601	ICVE10184E150R
2901-001604	F602	ICVE10184E050R
2901-001604	F603	ICVE10184E050R
2901-001604	F604	ICVE10184E050R
2901-001525	F605	ICVE10184E150R
2901-001525	F606	ICVE10184E150R
2901-001525	F608	ICVE10184E150R
2901-001423	F609	ICVE10184E150R
2901-001525	F610	ICVE10184E150R
2901-001525	F611	ICVE10184E150R
3711-006650	HDC500	AXT416164AW1
3710-002632	HDC501	AXT410164AW1
3711-006104	HDC600	AXT424164AW1
3711-006843	HEA600	14-5802-044-00
3722-003115	IFC500	KQ20AX-7P-4D
2703-002369	L100	CIH05T1N5SNC
2703-002367	L101	CIH05T1N0SNC
3301-001756	L103	BLM15HG102SN1D
2703-001747	L104	LL1005-FH4N7S
2203-000995	L105	GRP1555C1H470J
2703-001747	L106	LL1005-FH4N7S
2703-002204	L107	CIH05T22NJNC

SEC CODE	DESIGN LOC	DESCRIPTION
2703-002155	L108	LL1005-FH47NJ
2703-002204	L109	CIH05T22NJNC
2703-001726	L110	LL1005-FH27NJ
2703-002155	L111	LL1005-FH47NJ
2703-001726	L112	LL1005-FH27NJ
2703-003201	L113	0402CS-1N0XJLW
2703-002369	L117	CIH05T1N5SNC
2703-001786	L118	LL1005-FH10NJ
2703-002365	L119	CIH05T1N2SNC
2703-001178	L120	LL1005-FH3N3S
2703-002208	L123	CIH05T2N2SNC
2703-002205	L124	CIH05T3N9KNC
2203-005288	L126	GRP1555C1H1R0B
2703-002842	L127	LLV0603-F2N2S
2703-002918	L128	LQP03TN3N3B00D
2703-001747	L129	LL1005-FH4N7S
2703-002176	L200	CIH05T2N7SNC
2703-002208	L201	CIH05T2N2SNC
2203-002668	L203	C1005CG1H0R5BT
2703-002155	L207	LL1005-FH47NJ
2703-001748	L208	LL1005-FH5N6S
2703-002313	L209	CIH05TR10JNC
2703-002313	L210	CIH05TR10JNC
2703-001751	L211	LL1005-FH3N9S
2703-002369	L212	CIH05T1N5SNC
2703-002170	L213	CIH05T6N8JNC
2703-002365	L214	CIH05T1N2SNC
2703-003686	L400	CIG21L2R2MNE
2703-003686	L401	CIG21L2R2MNE
2703-003686	L402	CIG21L2R2MNE
2703-003686	L403	CIG21L2R2MNE
3301-001812	L405	BLM15HD102SN1
3301-001789	L406	BLM15EG121SN1D
3301-001812	L500	BLM15HD102SN1
2703-002557	L503	CIH10TR27JNC
3301-001885	L504	BLM15HD182SN1D
3301-001885	L505	BLM15HD182SN1D

SEC CODE	DESIGN LOC	DESCRIPTION
3301-001812	L506	BLM15HD102SN1
3301-001756	L507	BLM15HG102SN1D
3301-001812	L508	BLM15HD102SN1
3301-001729	L511	BLM15AG102SN1D
3301-001729	L512	BLM15AG102SN1D
3301-001729	L513	BLM15AG102SN1D
2703-003485	L600	CIG22L100MNE
3301-001812	L601	BLM15HD102SN1
3301-001729	L604	BLM15AG102SN1D
3301-001729	L605	BLM15AG102SN1D
3301-001729	L606	BLM15AG102SN1D
3003-001138	MIC400	SPU0410LR5H-QB
2801-004821	OSC200	CX3225YB26000L
2801-004909	OSC400	EXS00A-MU00031
2007-008045	R100	ERJ1GEJ101C
2007-008419	R101	ERJ1GEJ102C
2007-008419	R102	ERJ1GEJ102C
2007-008419	R103	ERJ1GEJ102C
2007-000138	R104	RC1005J101CS
2007-008419	R105	ERJ1GEJ102C
2007-001298	R108	RC1005J510CS
2007-001217	R109	MCR01MZP5J820
2007-001217	R110	vMCR01MZP5J820
2007-000141	R111	RC1005J222CS
2007-000149	R112	RC1005J123CS
2007-008044	R113	MCR006MZPJ680
2007-008045	R114	ERJ1GEJ101C
2007-008045	R115	ERJ1GEJ101C
2007-008419	R116	ERJ1GEJ102C
2007-009794	R200	RK73H1HTTC6191
2007-000157	R205	RC1005J473CS
2007-000157	R206	RC1005J473CS
2007-008298	R300	RC1005F49R9CS
2007-000162	R302	RC1005J104CS
2007-009212	R303	MCR006YZPF1001
2007-009171	R304	MCR006YZPJ513
2007-008588	R305	MCR006YZPJ222

SEC CODE	DESIGN LOC	DESCRIPTION
2007-008588	R306	MCR006YZPJ222
2007-008516	R307	ERJ1GEJ103C
2007-007107	R308	RC1005F1003CS
2007-007107	R311	RC1005F1003CS
2007-008588	R312	MCR006YZPJ222
2007-008588	R313	MCR006YZPJ222
2007-008052	R314	ERJ1GENJ472X
2007-008052	R315	ERJ1GENJ472X
2007-008055	R316	ERJ1GENJ104X
2007-008766	R319	ERJ2RKF6041X
2007-000138	R321	RC1005J101CS
2007-000137	R322	RC1005J202CS
2007-000172	R323	RC1005J100CS
2007-000138	R324	RC1005J101CS
2007-000162	R325	RC1005J104CS
2007-001292	R327	RC1005J330CS
2007-008055	R330	ERJ1GENJ104X
2007-000144	R400	RC1005J512CS
2007-008806	R403	RC0603J510CS
2007-007334	R404	RC1005F2003CS
2007-007573	R405	RK73H1ETP3303F
2007-008812	R406	RC1005F2153CS
2007-001291	R407	RC1005J300CS
2007-001291	R408	RC1005J300CS
2007-007107	R409	RC1005F1003CS
2007-007480	R410	RK73H1ETP1303F
2007-007468	R411	RK73H1ETP1213F
2007-007741	R416	M5534204B10E0R
2007-000162	R418	RC1005J104CS
2007-000138	R420	RC1005J101CS
2007-008055	R422	ERJ1GENJ104X
2007-000170	R500	RC1005J105CS
2007-001119	R501	RC1005J681CS
2007-000162	R502	RC1005J104CS
2007-000242	R503	RC1005J152CS
2007-000165	R505	RC1005J204CS
2007-000138	R506	RC1005J101CS

SEC CODE	DESIGN LOC	DESCRIPTION
2007-000154	R509	RC1005J243CS
2007-000138	R511	RC1005J101CS
2007-000157	R513	RC1005J473CS
2007-000157	R514	RC1005J473CS
2007-000157	R515	RC1005J473CS
2007-000157	R516	RC1005J473CS
2007-000157	R517	RC1005J473CS
2007-000162	R518	RC1005J104CS
2007-001339	R519	RC1005J184CS
2007-000149	R520	RC1005J123CS
2007-000148	R521	RC1005J103CS
2007-000168	R523	RC1005J474CS
2007-000162	R524	RC1005J104CS
2007-008774	R525	ERJ1GEJ2R2C
2007-008774	R526	ERJ1GEJ2R2C
2007-007092	R527	RC1005J112CS
2007-008736	R601	RC1005F150CS
2007-000162	R606	RC1005J104CS
2007-000162	R607	RC1005J104CS
2007-000162	R609	RC1005J104CS
3705-001503	RFS100	KMS-560
2809-001361	TCX100	TOH19200FS
1404-001221	TH300	NCP15WB473J04R
0505-002341	TR500	SI1013X-T1-GE3
0504-001138	TR501	DTA114EM
1201-003068	U100	RF3230
1201-003057	U101	RF7201
1205-003297	U102	RTR6285
1001-001607	U200	XM2400SN-AL090
1201-002971	U201	HFQRX3NFA-033
1205-003883	U202	BC7820A12-ICYN
1205-004076	U203	AR6003G-AC2B-R
0801-003265	U300	74AUP1G74GM
0801-003200	U301	NC7SZ00L6X
1203-006291	U401	MAX8899EWZ-T
1203-003924	U402	XC61CN3202NR
1001-001488	U403	STG5123DTR

SEC CODE	DESIGN LOC	DESCRIPTION
1203-006346	U405	FT8010MPX
1202-001068	U501	TC75S56FE
1001-001645	U502	FSA9280AUMX
1203-006331	U603	KTD259BEHD-TR
1205-004035	UCP300	MSM7227-1
1108-000348	UME300	K5W4G2GACB-BL5
0407-001002	ZD400	DAN222TL
0406-001223	ZD401	PG05DBTFC
0403-001688	ZD402	USFZ5.6V-RTK/H
0406-001223	ZD500	PG05DBTFC
0406-001223	ZD501	PG05DBTFC
0406-001223	ZD506	PG05DBTFC
0406-001223	ZD507	PG05DBTFC
0406-001223	ZD508	PG05DBTFC
0406-001286	ZD513	PESD5V0L5UV
0401-000164	ZD514	KDS121V-RTK/P
0406-001223	ZD515	PG05DBTFC
0406-001223	ZD516	PG05DBTFC
0406-001223	ZD517	PG05DBTFC
0406-001286	ZD603	PESD5V0L5UV
0406-001286	ZD604	PESD5V0L5UV
0406-001286	ZD605	PESD5V0L5UV
0406-001223	ZD606	PG05DBTFC

Please consult the GSPN website (Samsung Portal) for the most recent version of the product's part list.