

7. BLOCK DIAGRAM

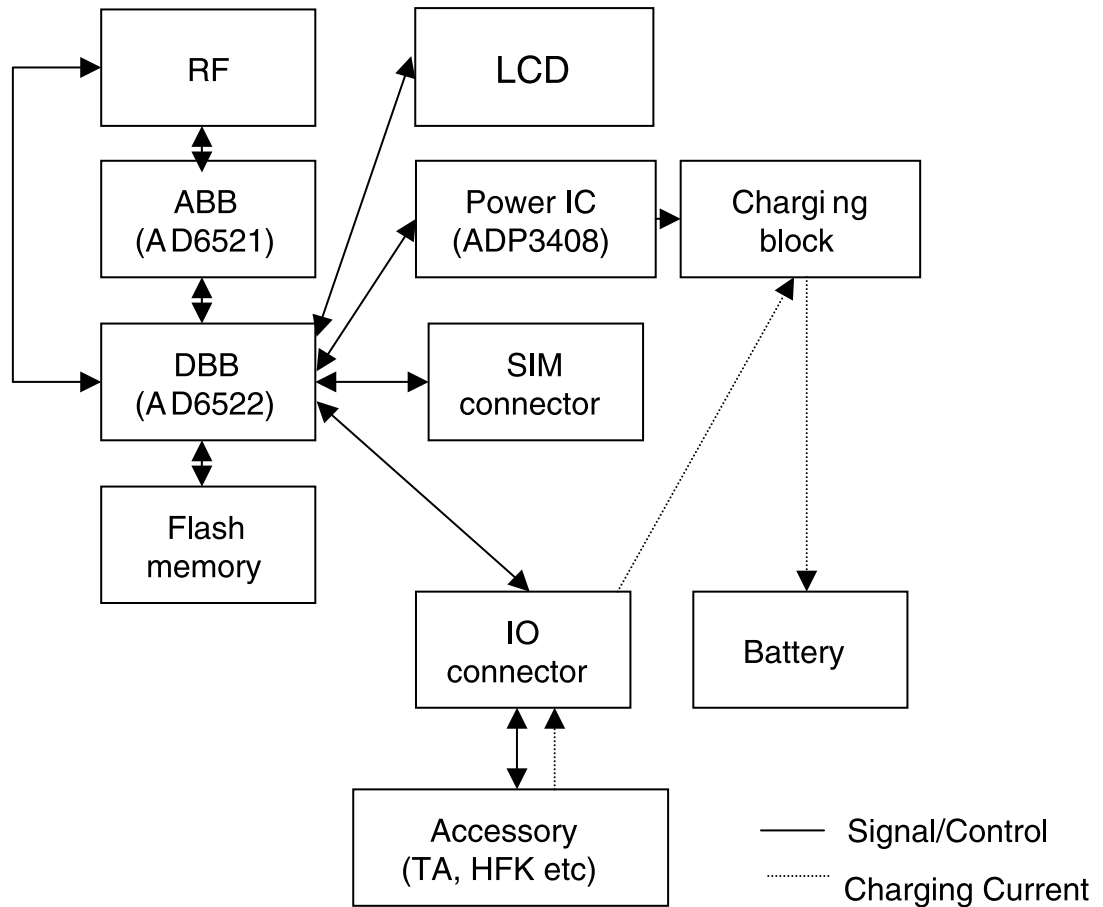
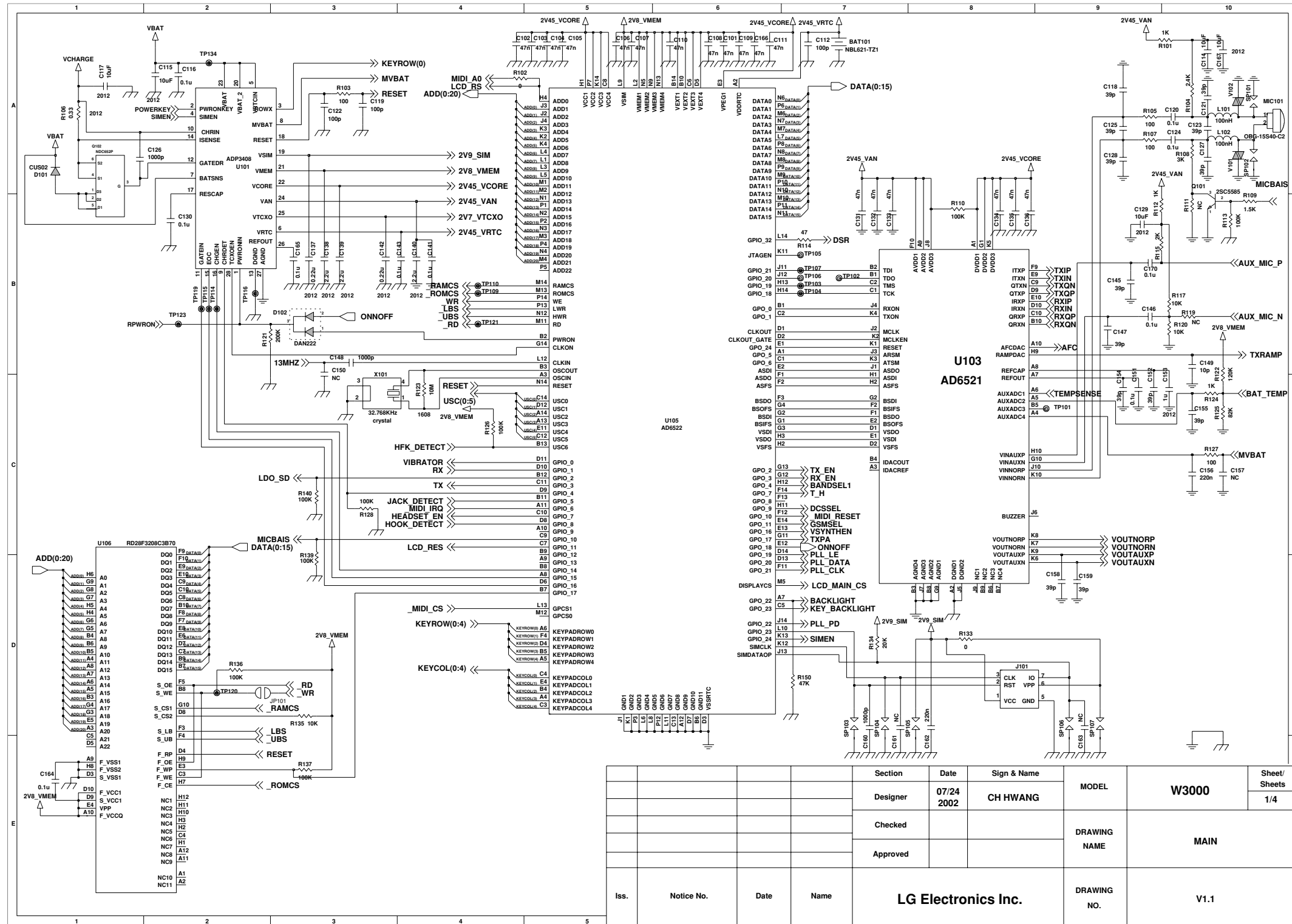


Figure 7-1. block diagram

8. CIRCUIT DIAGRAM

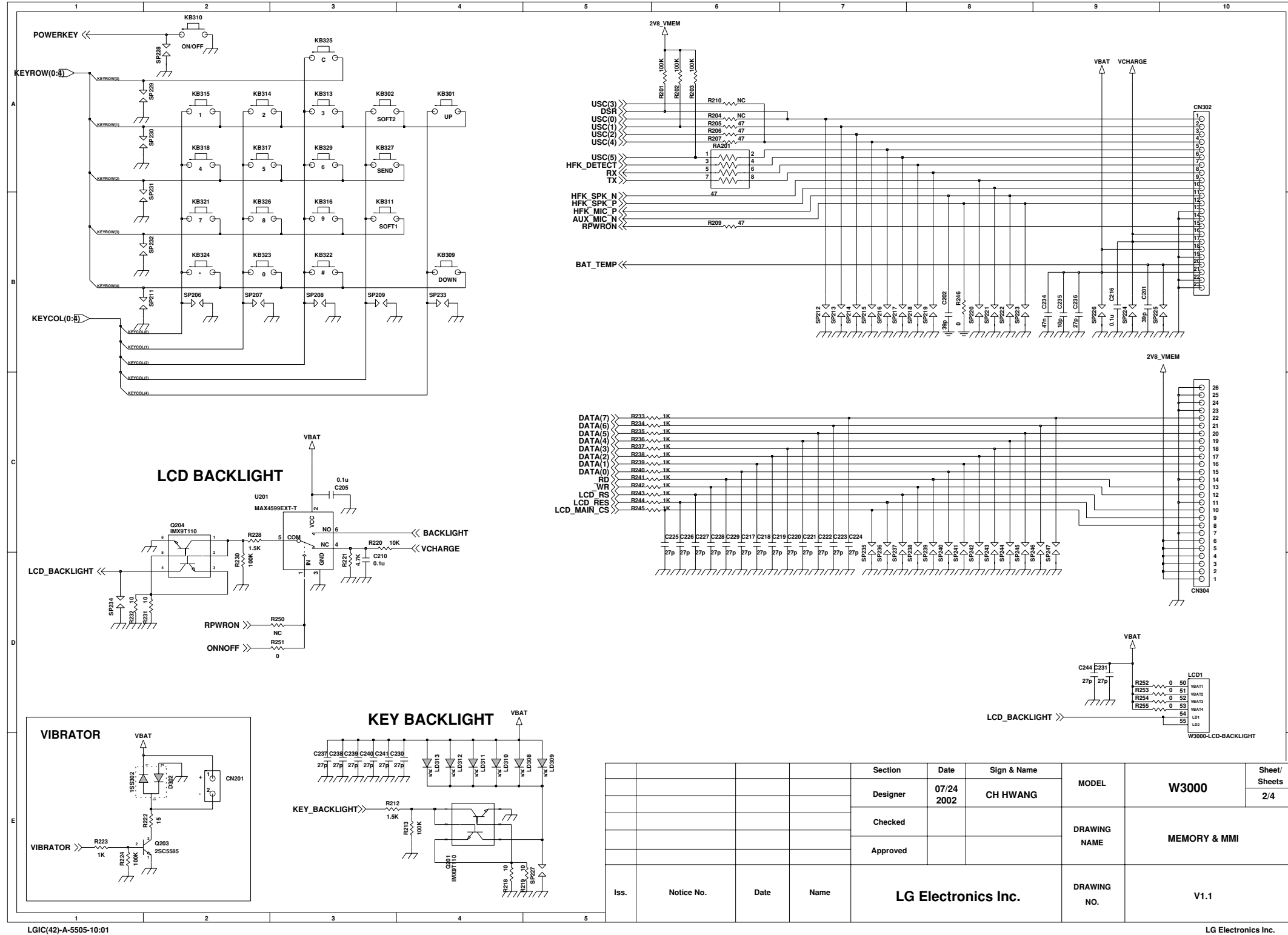
8.1 MAIN



Section	Date	Sign & Name	MODEL	Sheet/ Sheets
Designer	07/24 2002	CH HWANG	W3000	1/4
Checked			DRAWING NAME	MAIN
Approved			DRAWING NO.	V1.1
Iss.	Notice No.	Date	Name	LG Electronics Inc.

8. CIRCUIT DIAGRAM

8.2 MEMORY & MMI

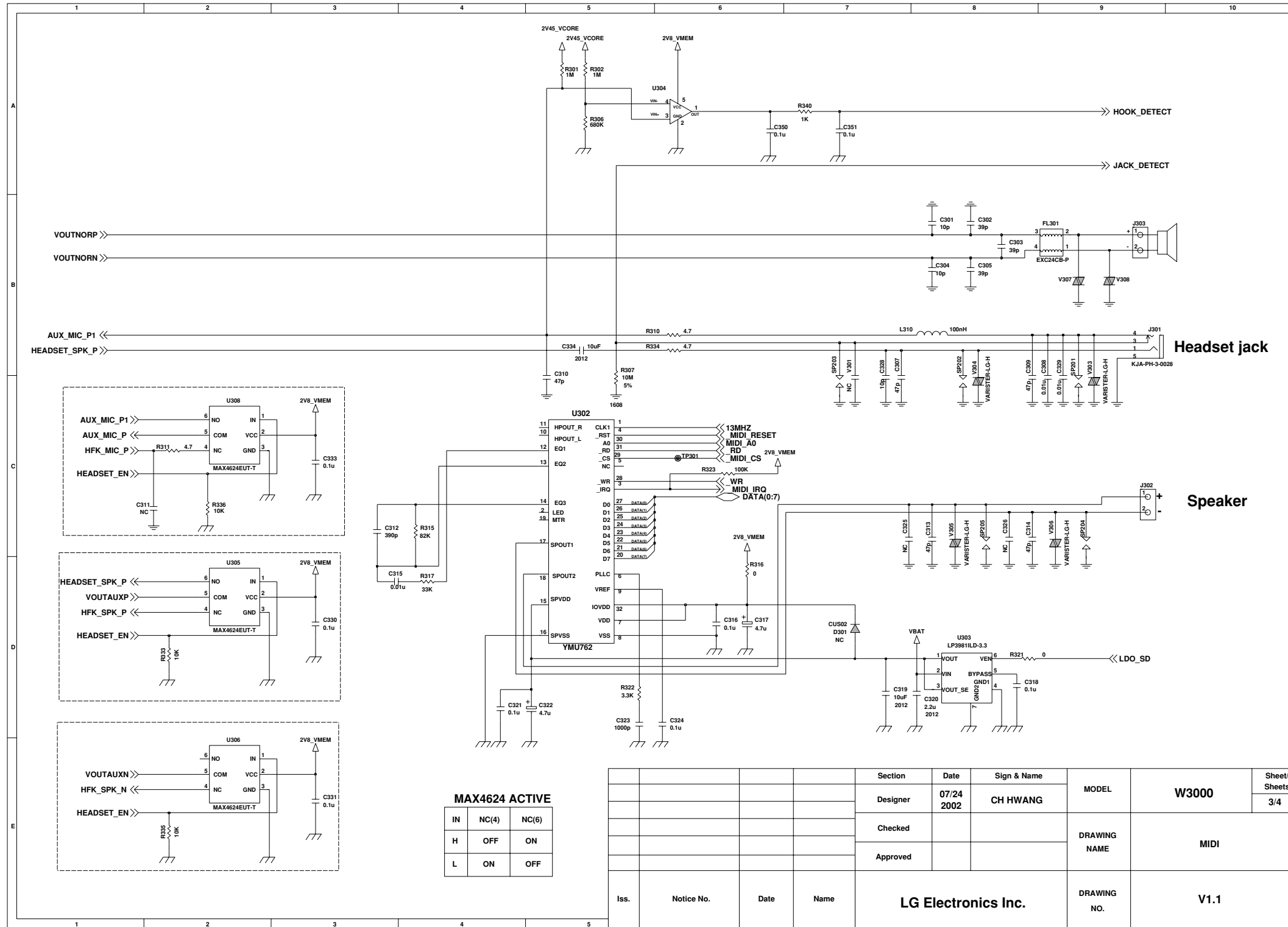


Section	Date	Sign & Name	MODEL	W3000	Sheet/ Sheets
Designer	07/24 2002	CH HWANG			2/4
Checked					
Approved					
LG Electronics Inc.			DRAWING NO.	V1.1	

LGIC(42)-A-5505-10-01

LG Electronics Inc.

8.3 MIDI



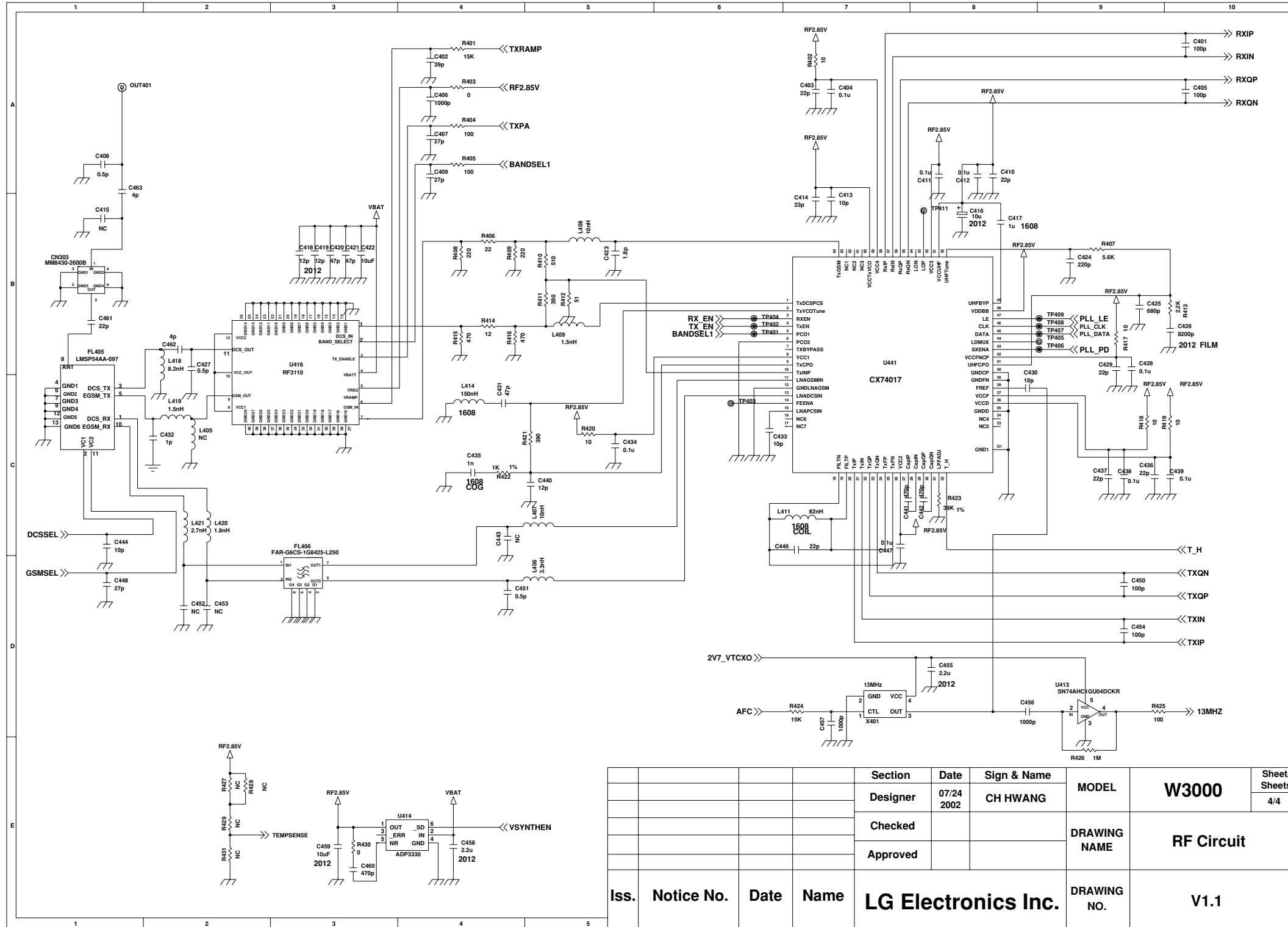
MAX4624 ACTIVE

IN	NC(4)	NC(6)
H	OFF	ON
L	ON	OFF

Section	Date	Sign & Name	MODEL	W3000	Sheet/ Sheets
Designer	07/24 2002	CH HWANG			3/4
Checked			DRAWING NAME	MIDI	
Approved					
Iss.	Notice No.	Date	Name	LG Electronics Inc.	DRAWING NO.
					V1.1

8. CIRCUIT DIAGRAM

8.4 RF CIRCUIT



LGIC(42)-A-5505-10:01

LG Electronics Inc.